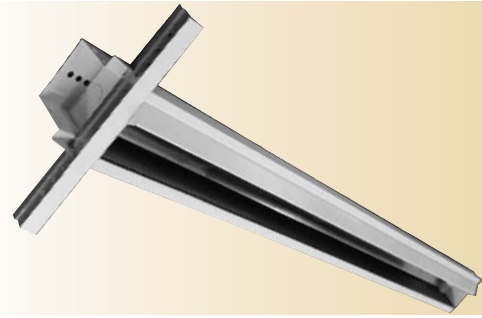
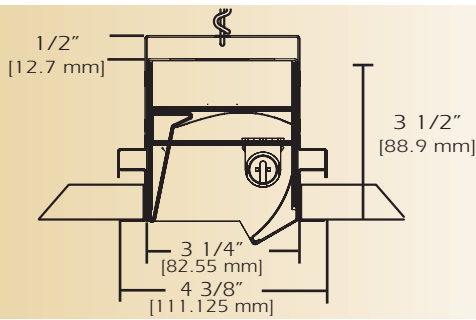


Apollo Grid

AP-1999-G



TYPE _____

FEATURES

The Apollo 1999 asymmetric architectural linear luminaire is one variation of a complete family of precision narrow aperture luminaires. This Apollo series of luminaires offers user-friendly mounting which allows the series to be compatible with various grid types. This series can be mounted individually and in perfectly aligned continuous rows. The Apollo Series is an ideal solution for applications that require high levels of vertical illumination.

SPECIFICATIONS

Housing: Die formed 20-gauge cold rolled steel welded construction 3 1/4" wide by 3 1/2" high. The bottom of housing is open with angular reflector for asymmetrical distribution. The grid frame is mechanically mounted to support various ceiling tile applications. Mounting yokes are provided for ease of installation and continuous rows.

Reflector: Three part reflector assembly is die formed .025 specular anodized aluminum for direct and asymmetric distribution including a black perforated steel angle reflector to eliminate back lighting.

Electrical: Ballast is electronic, high power factor, thermally protected class P, sound rated A with less than 20% total harmonic distortion. The minimum number of ballasts will be used unless otherwise specified.

Mounting: Standard inverted T-bar ceiling 15/16" is supplied as standard mounting. Optional trims are available for installations of 9/16" inverted T-bar and a miniature grid. Mounting yokes are provided with each fixture. For mounting detail information consult factory.

Finish: Fixture housing and steel components are finished in baked white enamel applied over a five-stage pretreatment process.

Lamps: Fixtures are provided for use with one 54 watt T5 HO lamp. (Supplied by Others)

Certification: Luminaires are U. L. Listed, C. S. A. certified and are Union Made in the United States of America. I. B. E. W.

ORDERING GUIDE

MODEL NO.	DIRECTION	NO. OF LAMPS	LAMPS	MOUNTING	LENGTH	FINISH	VOLTAGE	OPTIONS
AP1999	D	1	14T5 28T5 21T5 HO 54T5 HO	G = Grid MG = Miniature	2 = Ft 4 = Ft	W = White CC = Custom Color	120v 277v	See Options Below
AP1999	D= Direct	1	O=Other Specify					

Example: **AP1999-D-128T5-G-4-W-120V**

AP1999 direct with one 28 watt T5 lamp grid mounted four foot fixture finished in baked white enamel 120v electronic less than 20% total harmonic distortion.

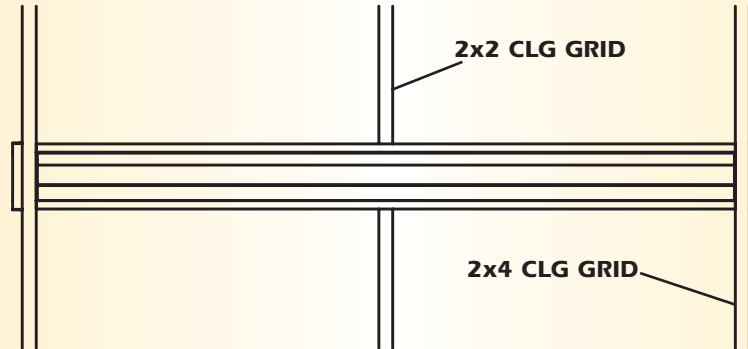
OPTIONS

- E10=** Electronic ballast, high power factor, thermally protected class P, sound rated A, <10% total harmonic distortion
- DIM=** Dimming Ballast
- EPC=** Emergency Battery Pack
- EMC=** Emergency Circuit
- OTH=** See Accessory Section for other options available

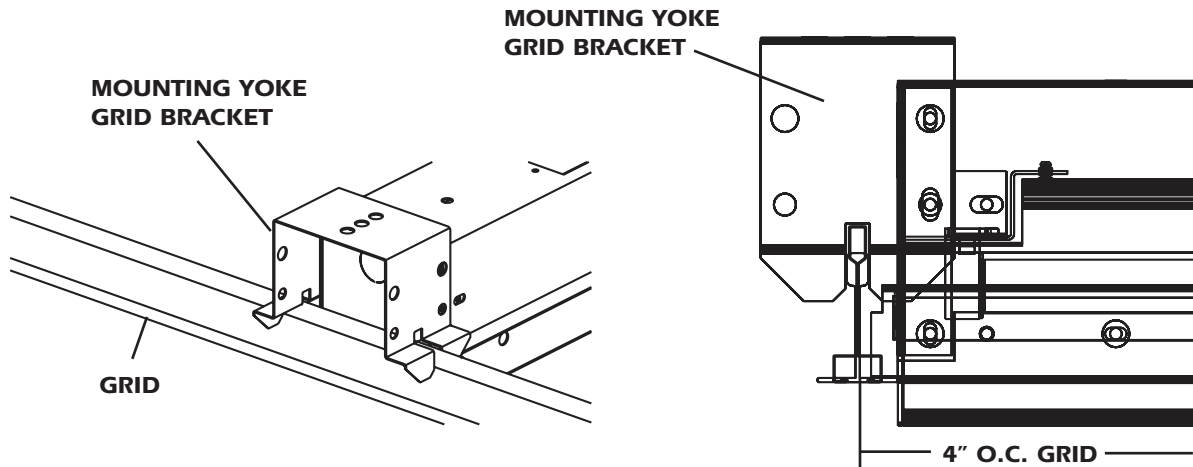
Apollo Grid

AP-1999-G

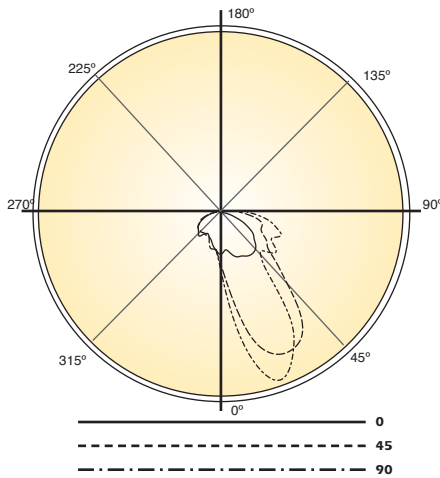
LINEAR SECTIONS AND SUSPENSION LOCATION



INSTALLATION PREPARATION



PHOTOMETRY



Candela Distribution:

Vert. Angle	0	22.5	45	67.5	90
0	409	409	409	409	409
5	462	442	526	673	682
10	420	520	888	1236	1290
15	369	772	1381	1713	1742
20	402	1018	1643	1891	1946
25	424	1141	1777	1871	1860
30	395	1328	1737	1703	1703
35	419	1399	1676	1506	1323
40	409	1424	1471	1057	862
45	419	1334	1110	735	682
50	395	1221	783	642	664
55	381	1003	567	699	817
60	352	792	576	750	726
65	336	556	587	647	679
70	291	411	532	697	764
75	217	332	521	655	716
80	139	311	465	577	607
85	72.2	238	367	451	480
90	21.5	123	264	322	348

Optical Distribution:
100% Direct

Coefficients of Utilization - Zonal Cavity Method:

pfc = 0.20

	.8	.7	.5	.3	.1	0													
pcc	.7	.5	.3	.1	.5	.3	.1	.5	.3	.1	0								
RCR	0	70	70	70	70	69	69	69	69	65	65	65	63	63	63	60	60	60	59
1	63	59	56	53	61	58	55	52	55	53	51	53	51	49	51	49	48	46	46
2	56	51	46	42	55	50	45	42	47	44	41	45	42	40	43	41	39	37	37
3	51	44	39	34	49	43	38	34	41	37	33	40	36	33	38	35	32	31	31
4	46	39	33	29	45	38	33	28	36	32	28	35	31	28	34	30	27	26	26
5	43	34	29	24	41	34	28	24	32	28	24	31	27	24	30	26	23	22	22
6	39	31	25	21	38	30	25	21	29	24	21	28	24	21	27	23	20	19	19
7	36	28	22	18	35	27	22	18	26	22	18	25	21	18	25	21	18	17	17
8	34	25	20	16	33	25	20	16	24	19	16	23	19	16	22	19	16	15	15
9	31	23	18	14	30	23	18	14	22	17	14	21	17	14	21	17	14	13	13
10	29	21	16	13	28	21	16	13	20	16	13	20	16	13	19	15	13	12	12



Total Luminaire Optical Efficiency = 59.8%

SCW-2