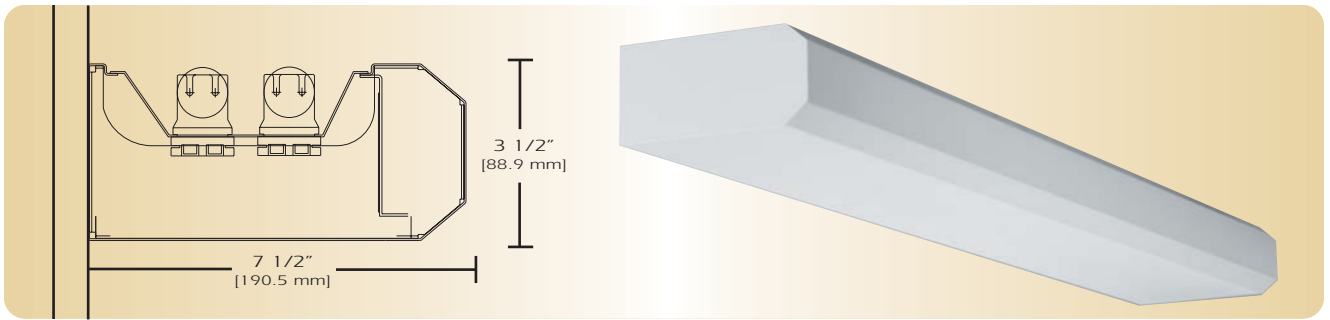


# General Illumination AP-35-I-WM



TYPE \_\_\_\_\_

## FEATURES

The AP 35 I WM series is a wall mounted version of the family of beveled steel luminaires. The AP 35 I WM is designed for total indirect distribution to eliminate direct glare entirely. This series can be mounted individually, in perfectly aligned continuous rows or in any of combination of patterns. The AP 35 I WM is complementary to all other members of the family providing maximum utilization of the unique shape throughout a space.

## SPECIFICATIONS

**Housing:** One piece die formed 20-gauge cold rolled steel welded construction forming a 3 1/2" x 7 1/2" beveled profile. Finished end caps are laser cut 18-gauge cold rolled steel, with no exposed hardware or knockouts.

**Reflector:** Die formed 20-gauge cold rolled steel minimum 90% reflectivity finished in high gloss baked white enamel.

**Electrical:** Ballast is electronic, high power factor, thermally protected class P, sound rated A, with less than 20% total harmonic distortion. The minimum number of ballasts will be used unless otherwise specified.

**Mounting:** Standard installation is key slots 37 3/4" O.C. for ease of installation.

**Finish:** Fixture housing and steel components are finished in baked white enamel applied over a five-stage pretreatment process.

**Lamps:** Fixtures are provided for use with one, two or three 32 watt T8 lamps or 54 watt T5 HO lamps. (Supplied by Others)

**Certification:** Luminaires are U. L. Listed, C. S. A. certified and are Union Made in the United States of America. I.B.E.W.

## ORDERING GUIDE

| MODEL NO. | DIRECTION  | LAMPS   | MOUNTING  | LENGTH   | FINISH                       | VOLTAGE      | OPTIONS           |
|-----------|------------|---|---|--|------------------------------|--------------|-------------------|
| AP-35     | I          |   |   |  |                              |              |                   |
| AP-35     | I=Indirect | 132 T8<br>232 T8<br>332 T8<br><br>154T5 HO<br>254T5 HO<br>354T5 HO<br><br>O=Other Specify | WM= Wall<br><br><br><br><br><br><br>See Accessories | 4= ft<br>8= ft<br><br><br><br><br>for other, please enter row length (eg. 48=48ft) | W= White<br>CC= Custom Color | 120v<br>277v | See Options Below |

Example: **AP35-I-232T8-WM-4-W-120V**

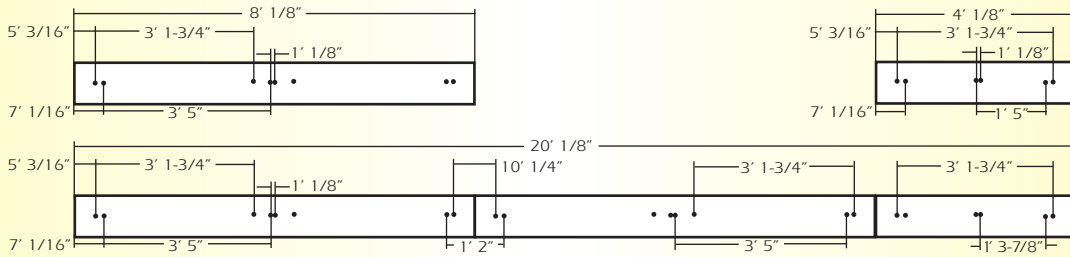
AP35 indirect for two 32 watt T8 lamps wall mounted four foot fixture finished in baked white enamel 120v electronic ballast less than 20% total harmonic distortion.

## OPTIONS

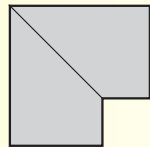
- E10=** Electronic ballast, high power factor, thermally protected class P, sound rated A, < 10% total harmonic distortion
- DIM=** Dimming Ballast
- EPC=** Emergency Battery Pack
- EMC=** Emergency Circuit
- TCW=** Two Circuit Wiring
- TDW=** Tandem Wiring
- OTH=** See Accessories for other options available

# General Illumination AP-35-I-WM

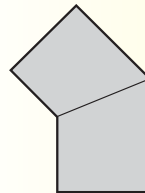
LINEAR SECTIONS AND SUSPENSION LOCATION



**CORNERS** Corners and fixture extensions are custom fabricated to precise dimensions. Please indicate the specific requirements on the layout

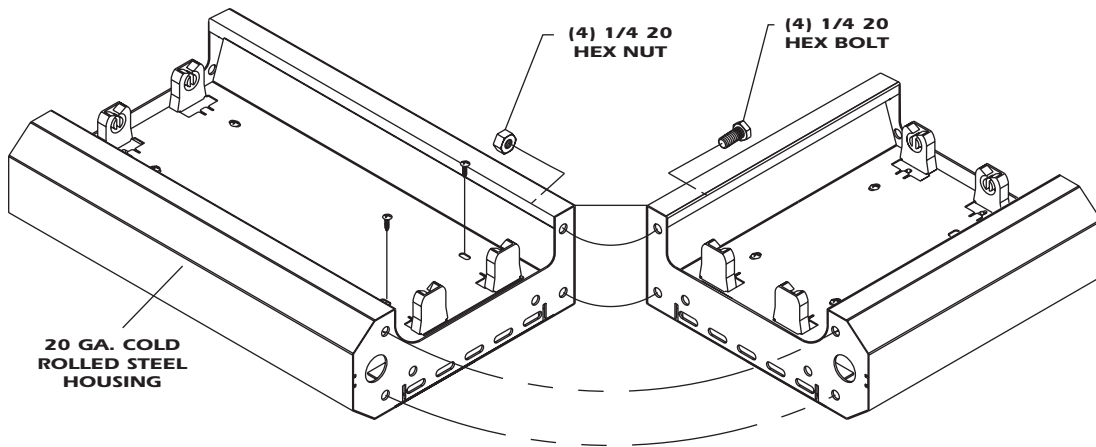


**C2**  
90° Corner

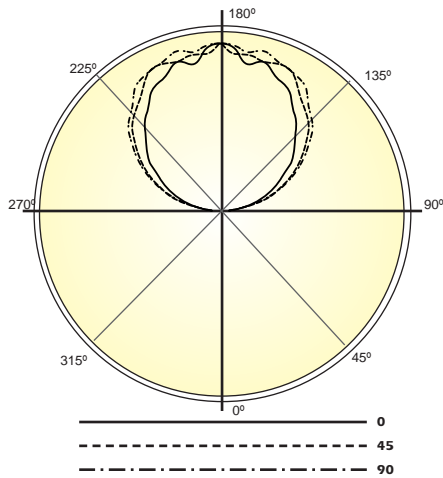


For any angular corner, ( )° must be specified and dimensions must be included on the layout  
**( )° AC**  
Angular Corner

INSTALLATION PREPARATION



PHOTOMETRY



LAMP (2) 32W T8  
LUMENS: 2900 PER LAMP

**Candela Distribution:**

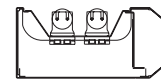
| Vert. Angle | 0    | 22.5 | 45   | 67.5 | 90   |
|-------------|------|------|------|------|------|
| 90          | 13.0 | 21.4 | 34.6 | 30.8 | 40.5 |
| 95          | 66.9 | 90.7 | 106  | 115  | 118  |
| 100         | 183  | 214  | 223  | 221  | 231  |
| 105         | 313  | 343  | 347  | 348  | 350  |
| 110         | 390  | 456  | 492  | 492  | 483  |
| 115         | 545  | 591  | 636  | 632  | 634  |
| 120         | 633  | 696  | 756  | 778  | 770  |
| 125         | 736  | 818  | 863  | 902  | 910  |
| 130         | 831  | 912  | 948  | 1006 | 1009 |
| 135         | 943  | 986  | 1061 | 1079 | 1094 |
| 140         | 1012 | 1093 | 1171 | 1215 | 1211 |
| 145         | 1109 | 1153 | 1240 | 1326 | 1329 |
| 150         | 1197 | 1268 | 1329 | 1440 | 1403 |
| 155         | 1216 | 1316 | 1385 | 1439 | 1476 |
| 160         | 1228 | 1314 | 1368 | 1445 | 1401 |
| 165         | 1345 | 1335 | 1374 | 1400 | 1446 |
| 170         | 1292 | 1330 | 1336 | 1342 | 1472 |
| 175         | 1236 | 1348 | 1345 | 1457 | 1436 |
| 180         | 1421 | 1421 | 1421 | 1421 | 1421 |

**Optical Distribution:**  
100% Indirect

**Coefficients of Utilization - Zonal Cavity Method:**

pfc = 0.20

|     | .8          | .7          | .5       | .3       | .1       | 0 |
|-----|-------------|-------------|----------|----------|----------|---|
| pcc | .8          | .7          | .5       | .3       | .1       | 0 |
| pw  | .7 .5 .3 .1 | .7 .5 .3 .1 | .5 .3 .1 | .5 .3 .1 | .5 .3 .1 | 0 |
| RCR |             |             |          |          |          |   |
| 0   | 75 75 75 75 | 64 64 64 64 | 43 43 43 | 25 25 25 | 8 8 8    | 0 |
| 1   | 68 65 62 59 | 58 55 53 51 | 38 36 35 | 21 21 20 | 7 6 6    | 0 |
| 2   | 62 56 52 48 | 52 48 45 42 | 33 31 29 | 19 18 17 | 6 5 5    | 0 |
| 3   | 56 49 44 40 | 48 42 38 34 | 29 26 24 | 16 15 14 | 5 5 4    | 0 |
| 4   | 51 43 38 33 | 43 37 32 29 | 25 22 20 | 14 13 12 | 4 4 4    | 0 |
| 5   | 47 38 32 28 | 40 33 28 24 | 22 19 17 | 13 11 10 | 4 3 3    | 0 |
| 6   | 43 34 28 24 | 36 29 24 21 | 20 17 15 | 11 10 8  | 3 3 2    | 0 |
| 7   | 39 30 25 21 | 33 26 21 18 | 18 15 13 | 10 9 7   | 3 2 2    | 0 |
| 8   | 36 27 22 18 | 31 23 19 16 | 16 13 11 | 9 7 6    | 3 2 2    | 0 |
| 9   | 33 25 19 16 | 28 21 17 14 | 15 12 9  | 8 7 5    | 2 2 1    | 0 |
| 10  | 31 22 17 14 | 26 19 15 12 | 13 10 8  | 7 6 5    | 2 2 1    | 0 |



**Total Luminaire Optical Efficiency = 78.8%**