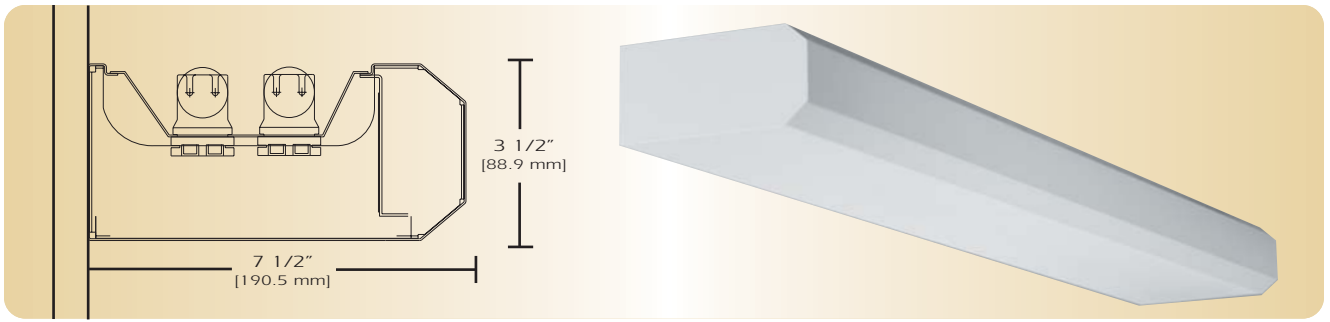


General Illumination AP-35-I-WM



TYPE _____

FEATURES

The AP 35 I WM series is a wall mounted version of the family of beveled steel luminaires. The AP 35 I WM is designed for total indirect distribution to eliminate direct glare entirely. This series can be mounted individually, in perfectly aligned continuous rows or in any of combination of patterns. The AP 35 I WM is complementary to all other members of the family providing maximum utilization of the unique shape throughout a space.

SPECIFICATIONS

Housing: One piece die formed 20-gauge cold rolled steel welded construction forming a 3 1/2" x 7 1/2" beveled profile. Finished end caps are laser cut 18-gauge cold rolled steel, with no exposed hardware or knockouts.

Reflector: Die formed 20-gauge cold rolled steel minimum 90% reflectivity finished in high gloss baked white enamel.

Electrical: Ballast is electronic, high power factor, thermally protected class P, sound rated A, with less than 20% total harmonic distortion. The minimum number of ballasts will be used unless otherwise specified.

Mounting: Standard installation is key slots 37 3/4" O.C. for ease of installation.

Finish: Fixture housing and steel components are finished in baked white enamel applied over a five-stage pretreatment process.

Lamps: Fixtures are provided for use with one, two or three 32 watt T8 lamps or 54 watt T5 HO lamps. (Supplied by Others)

Certification: Luminaires are U. L. Listed, C. S. A. certified and are Union Made in the United States of America. I.B.E.W.

ORDERING GUIDE

MODEL NO.	DIRECTION	LAMPS	MOUNTING	LENGTH	FINISH	VOLTAGE	OPTIONS
AP-35	I						
AP-35	I=Indirect	132 T8 232 T8 332 T8 154T5 HO 254T5 HO 354T5 HO O=Other Specify	WM= Wall See Accessories	4= ft 8= ft for other, please enter row length (eg. 48=48ft)	W= White CC= Custom Color	120v 277v	See Options Below

Example: **AP35-I-232T8-WM-4-W-120V**

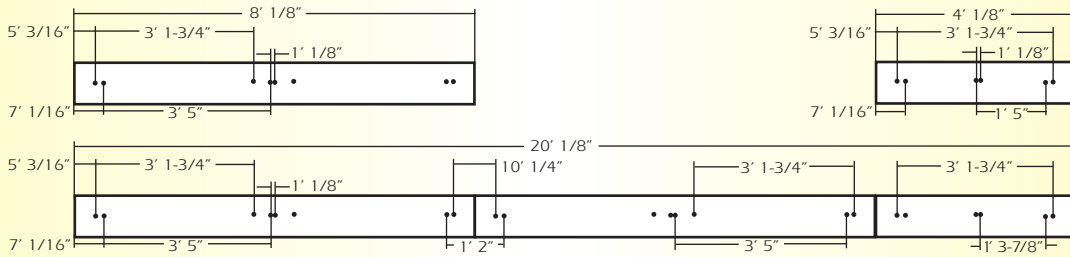
AP35 indirect for two 32 watt T8 lamps wall mounted four foot fixture finished in baked white enamel 120v electronic ballast less than 20% total harmonic distortion.

OPTIONS

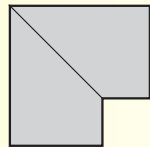
- E10=** Electronic ballast, high power factor, thermally protected class P, sound rated A, < 10% total harmonic distortion
- DIM=** Dimming Ballast
- EPC=** Emergency Battery Pack
- EMC=** Emergency Circuit
- TCW=** Two Circuit Wiring
- TDW=** Tandem Wiring
- OTH=** See Accessories for other options available

General Illumination AP-35-I-WM

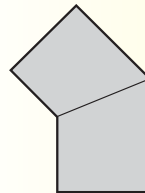
LINEAR SECTIONS AND SUSPENSION LOCATION



CORNERS Corners and fixture extensions are custom fabricated to precise dimensions. Please indicate the specific requirements on the layout

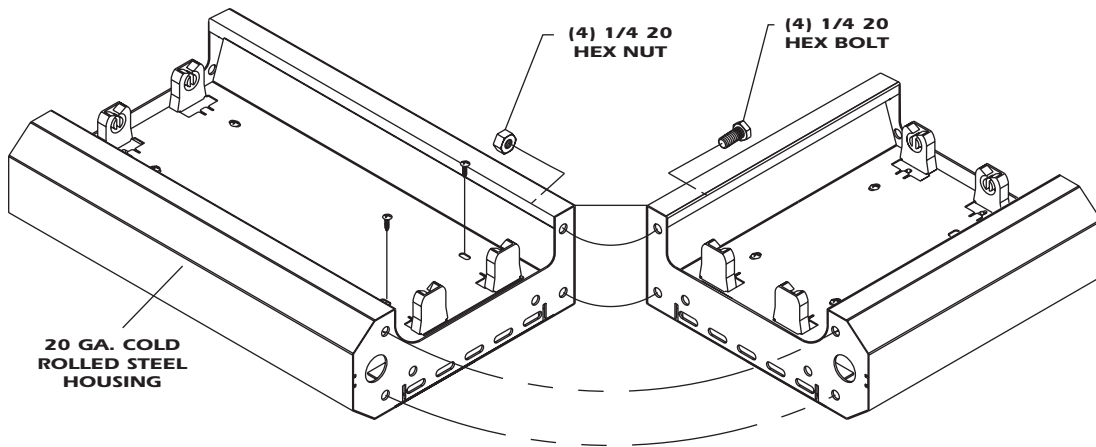


C2
90° Corner

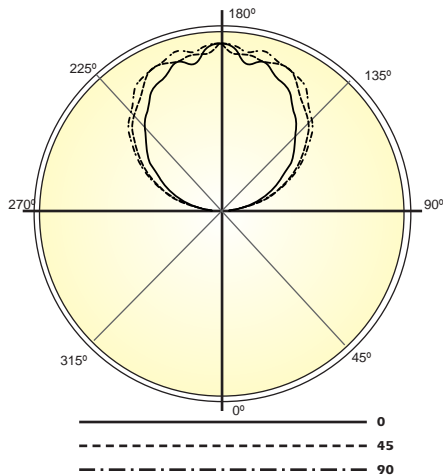


For any angular corner, ()° must be specified and dimensions must be included on the layout
()° AC
Angular Corner

INSTALLATION PREPARATION



PHOTOMETRY



LAMP (2) 32W T8
LUMENS: 2900 PER LAMP

Candela Distribution:

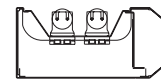
Vert. Angle	0	22.5	45	67.5	90
90	13.0	21.4	34.6	30.8	40.5
95	66.9	90.7	106	115	118
100	183	214	223	221	231
105	313	343	347	348	350
110	390	456	492	492	483
115	545	591	636	632	634
120	633	696	756	778	770
125	736	818	863	902	910
130	831	912	948	1006	1009
135	943	986	1061	1079	1094
140	1012	1093	1171	1215	1211
145	1109	1153	1240	1326	1329
150	1197	1268	1329	1440	1403
155	1216	1316	1385	1439	1476
160	1228	1314	1368	1445	1401
165	1345	1335	1374	1400	1446
170	1292	1330	1336	1342	1472
175	1236	1348	1345	1457	1436
180	1421	1421	1421	1421	1421

Optical Distribution:
100% Indirect

Coefficients of Utilization - Zonal Cavity Method:

pfc = 0.20

	.8	.7	.5	.3	.1	0
pcc	.8	.7	.5	.3	.1	0
pw	.7 .5 .3 .1	.7 .5 .3 .1	.5 .3 .1	.5 .3 .1	.5 .3 .1	0
RCR						
0	75 75 75 75	64 64 64 64	43 43 43	25 25 25	8 8 8	0
1	68 65 62 59	58 55 53 51	38 36 35	21 21 20	7 6 6	0
2	62 56 52 48	52 48 45 42	33 31 29	19 18 17	6 5 5	0
3	56 49 44 40	48 42 38 34	29 26 24	16 15 14	5 5 4	0
4	51 43 38 33	43 37 32 29	25 22 20	14 13 12	4 4 4	0
5	47 38 32 28	40 33 28 24	22 19 17	13 11 10	4 3 3	0
6	43 34 28 24	36 29 24 21	20 17 15	11 10 8	3 3 2	0
7	39 30 25 21	33 26 21 18	18 15 13	10 9 7	3 2 2	0
8	36 27 22 18	31 23 19 16	16 13 11	9 7 6	3 2 2	0
9	33 25 19 16	28 21 17 14	15 12 9	8 7 5	2 2 1	0
10	31 22 17 14	26 19 15 12	13 10 8	7 6 5	2 2 1	0



Total Luminaire Optical Efficiency = 78.8%