

Features

The PTP architectural linear series is an extraordinarily efficient steel luminaire. The PTP I is designed with indirect distribution for suspended mounting. This series can be mounted individually, in perfectly aligned continuous rows or in any of combination of patterns. The PTP series is an ideal solution for open spaces and provides maximum design versatility.

Specifications

HOUSING: Die formed 20-gauge cold rolled steel welded construction. Finished end caps are laser cut 18-gauge cold rolled steel, with no exposed hardware or knockouts. Housing aligners provide precision alignment for continuous rows.

REFLECTOR: Die formed 20-gauge cold rolled steel minimum 90% reflectivity finished in high gloss baked white enamel.

ELECTRICAL: Ballast is electronic, universal voltage 120/277, high power factor, thermally protected, sound rated A with less than 10% total harmonic distortion. Luminaires in rows are pre-wired with quick connect through wiring. The minimum number of ballasts will be used unless otherwise specified.

BALLAST DISCONNECT: Luminaires are pre-wired with integrated locking disconnects.

MOUNTING: Standard Installation is an adjustable self-locking aircraft cable assembly 48" x 3/32" in diameter with 5" canopy. One 16/4 SJT straight 54" cord is supplied with each power feed. Standard pendants are available in 24" lengths. See Mounting Options pages for additional mounting.

FINISH: Fixture housing and steel components are finished in baked white enamel applied over a five-stage pretreatment process.

LAMPS: Fixtures are provided for use with one, two or three T8, T5 or T5HO lamps. (Supplied by Others)

CERTIFICATION: Luminaires are U. L. Listed, C.S.A. certified and are Union Made in the United States of America. I.B.E.W.

TYPE

Ordering Guide

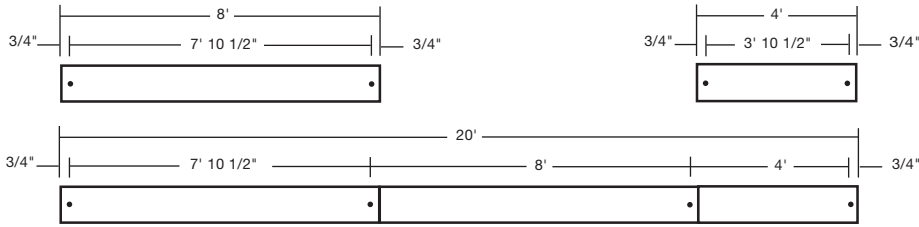
MODEL NO.	DIRECTION	NUMBER OF LAMPS	LAMPS	MOUNTING	ROW LENGTH	FINISH	VOLTAGE	OPTIONS
PTP	I							
PTP	I = Indirect	1 2 3	T8 T5 T5HO	AC = Cable PD = Pendant Other mounting options available, see pgs. 357-359	2 = 2 ft 3 = 3 ft 4 = 4 ft 5 = 5 ft 6 = 6 ft 8 = 8 ft For other, please enter row length (eg. 48 = 48 ft)	W = White CC = Custom Color	UNV = 120/277	DIM = Dimming Ballast EPC = Emergency Battery Pack EMC = Emergency Circuit TWC = Two Circuit Wiring OTH = Other options available, see page 355

Example » PTP | I | 2T8 | AC | 4 | W | UNV

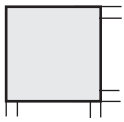
PTP indirect for two 32 watt T8 lamps with two 48 inch aircraft cables and power feed four foot fixture finished in baked white with universal voltage electronic ballast less than 10% harmonic distortion.



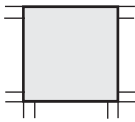
Linear Sections and Suspension Location



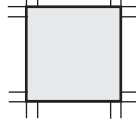
JOINERS



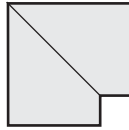
JB2
JB2-90° (Corner)
Joiner Box



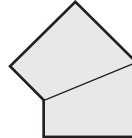
JB3
JB3-3-Way
(Tee) Joiner Box



JB4
JB4-4-Way (Cross)
Joiner Box



C2
90° Corner



()° AC
Angular
Corner

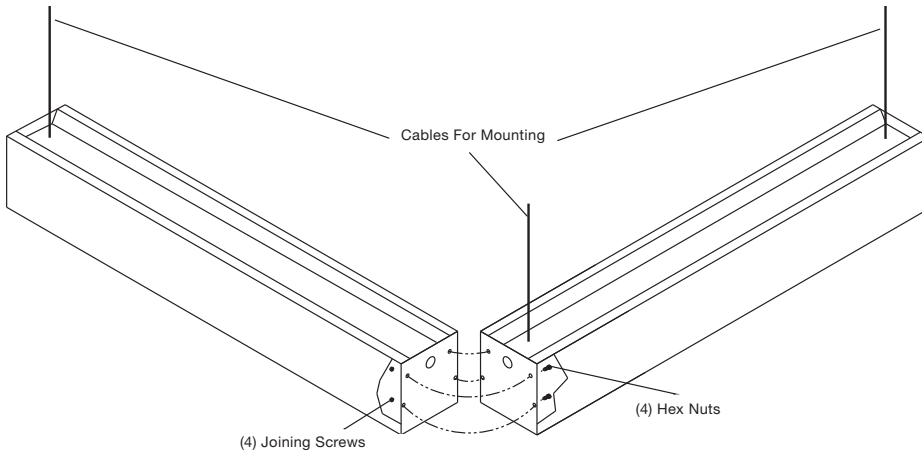
CORNERS Corners and fixture extensions are custom fabricated to precise dimensions. Please indicate the specific requirements on the layout

For any angular corner, ()° must be specified and dimensions must be included on the layout

For any pattern, a layout must accompany the order.

Installation Preparation

TYPICAL JOINT DETAIL



Photometry

COEFFICIENTS OF UTILIZATION-ZONAL CAVITY METHOD

pfc = 0.20

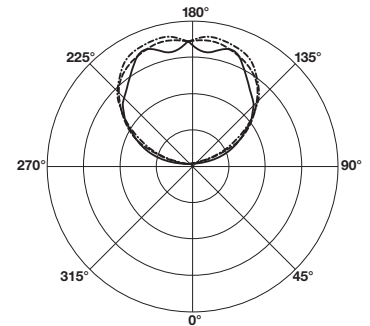
pcc pw	.8				.7				.5				.3				.1				0																					
	.7	.5	.3	.1	.7	.5	.3	.1	.5	.3	.1	.5	.3	.1	.5	.3	.1	.5	.3	.1	.5	.3	.1	.5	.3	.1	.5	.3	.1	.5	.3	.1										
RCR																																										
0	80	80	80	80	69	69	69	69	47	47	47	27	27	27	9	9	9	0																								
1	73	70	66	64	62	59	57	55	41	39	38	23	23	22	7	7	7	0																								
2	66	61	56	52	56	52	48	45	36	33	31	21	19	18	6	6	6	0																								
3	60	53	48	43	51	46	41	37	31	29	26	18	17	15	5	5	5	0																								
4	55	47	41	36	47	40	35	31	28	25	22	16	14	13	4	4	4	0																								
5	50	41	35	31	43	36	30	27	25	21	19	14	12	11	4	4	4	0																								
6	46	37	31	26	39	32	27	23	22	19	16	13	11	10	3	3	3	0																								
7	42	33	27	23	36	28	23	20	20	16	14	11	10	8	3	3	3	0																								
8	39	30	24	20	33	25	20	17	18	14	12	10	8	7	2	2	2	0																								
9	36	27	21	17	31	23	18	15	16	13	11	9	8	6	2	2	2	0																								
10	34	24	19	15	29	21	16	13	15	11	9	8	7	6	2	2	2	0																								

Total Luminaire Optical
Efficiency = 84.0%



CANDELA DISTRIBUTION

Vert. Angle	0	22.5	45	67.5	90
90	17.5	19.2	24.4	26.9	30.6
95	104	98.0	100	104	104
100	230	243	232	234	232
105	340	392	391	389	383
110	451	519	546	556	559
115	568	645	698	720	720
120	673	754	820	871	869
125	770	856	933	1000	1010
130	868	956	1033	1119	1130
135	961	1045	1132	1190	1231
140	1059	1129	1218	1277	1308
145	1162	1226	1302	1371	1381
150	1225	1292	1380	1441	1468
155	1287	1336	1424	1492	1495
160	1326	1373	1427	1488	1502
165	1355	1373	1398	1446	1468
170	1390	1411	1424	1450	1438
175	1409	1422	1436	1459	1438
180	1411	1411	1411	1411	1411



— 0
- - - 45
- · - · 90

Lamp (2) 32w T8

Lumens: 2900 Per Lamp

Optical Distribution:
100% Indirect

Day-O-Lite reserves the right to change product specifications without notice for product improvement.