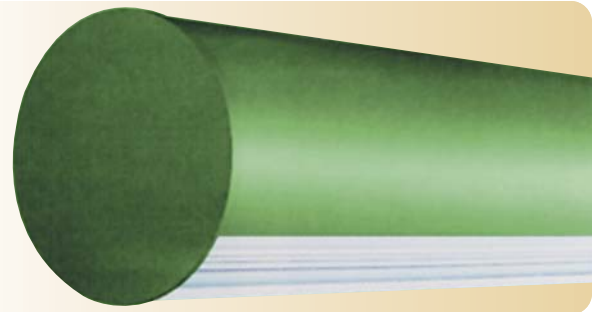
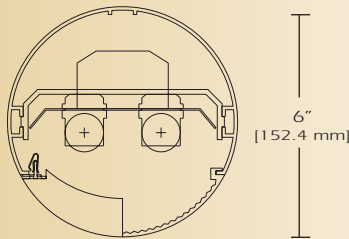


Rounds

AD-RO6-D



TYPE _____

FEATURES

The AD RO6 D series is a direct version of the family of 6" round extruded aluminum luminaires. The series is available with a round clear linear lens or a round radial baffle. The series can be suspended, wall mounted and mounted from wall to wall. These luminaires can be mounted individually, in perfectly aligned continuous rows, or in any combination of patterns. The AD RO 6 D provides an excellent solution for highlighting and accenting areas and items of interest.

SPECIFICATIONS

Housing: One piece heavy gauge extruded aluminum 6063T5 alloy welded construction forming a six-inch round diameter profile. Finished end caps are welded with no exposed hardware or knockouts.

Reflector: Die formed 20-gauge cold rolled steel minimum 90% reflectivity finished in high gloss baked white enamel.

Shielding: Standard lens is extruded acrylic with linear ribs (ARL) for efficient light distribution. Optional radial aluminum baffle (RAB) is available.

Electrical: Ballast is electronic, high power factor, thermally protected class P, sound rated A, with less than 20% total harmonic distortion. The minimum number of ballasts will be used unless otherwise specified.

Mounting: Standard installation is an adjustable self-locking aircraft assembly 48" x 3/32" in diameter with 5" canopy. One 1/4" SJT straight 54" cord is supplied with each power feed. Standard pendants are available in 24" lengths. See Accessories for additional mounting.

Finish: Fixture housing and steel components are finished in baked white enamel applied over a five-stage pretreatment process.

Lamps: Fixtures are provided for use with one or two 32 watt T8 lamps or 54 watt T5 HO lamps. (Supplied by Others)

Certification: Luminaires are U. L. Listed, C. S. A. certified and are Union Made in the United States of America I.B.E.W.

ORDERING GUIDE

MODEL NO.	DIRECTION	SHIELDING	LAMPS	MOUNTING	LENGTH	FINISH	VOLTAGE	OPTIONS
AD-RO6	D							
AD-RO6	D=Direct	ARL=Acrylic Ribbed Lens RAB=Radial Aluminum Baffle	132T8 232T8 154T5 HO 254T5 HO	AC= Cable PD= Pendant WM= Wall Mounted WW= Wall to Wall See Accessories	4= 4 ft 8= 8 ft for other, please enter row length (eg. 48=48ft)	W= White CC= Custom Color	120v 277v	See Options Below

Example: **AD-RO6-D-ARL-232T8-AC-4-W-120V**

Example: AD-RO6 direct with acrylic ribbed linear lens for two 32 watt T8 lamps including two 48inch aircraft cables and power feed four foot fixture finished in baked white enamel 120v electronic ballast less than 20% total harmonic distortion.

OPTIONS

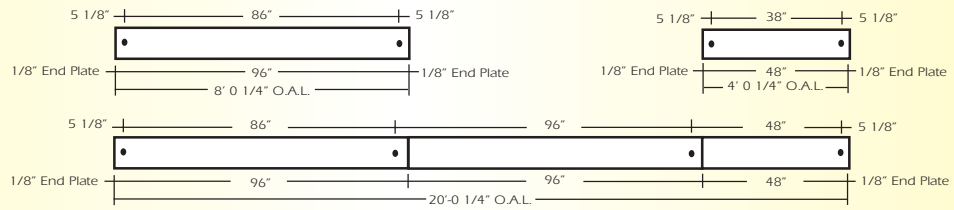
- E10=** Electronic ballast, high power factor, thermally protected class P, sound rated A, < 10% total harmonic distortion
- DIM=** Dimming Ballast
- EPC=** Emergency Battery Pack
- EMC=** Emergency Circuit
- TCW=** Two Circuit Wiring
- TDW=** Tandem Wiring
- OTH=** See Accessories for other options available

Rounds

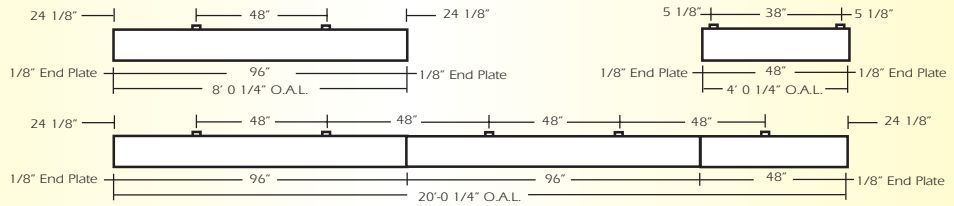
AD-RO6-D

LINEAR SECTIONS AND SUSPENSION LOCATION

SUSPENSION MOUNTING

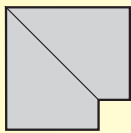


WALL MOUNTING

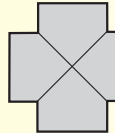


CORNERS

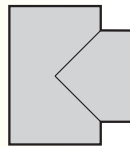
Corners and fixture extensions are custom fabricated to precise dimensions. Please indicate the specific requirements on the layout



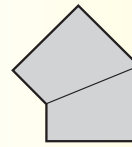
C2
90° Corner



C4
4-Way
Corner
(Cross)



C3
3-Way
Corner
(Tee)

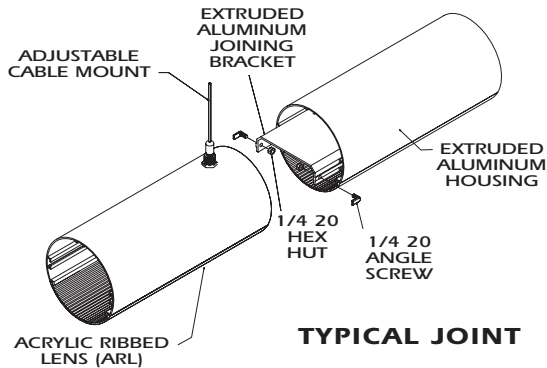


()° AC
Angular
Corner

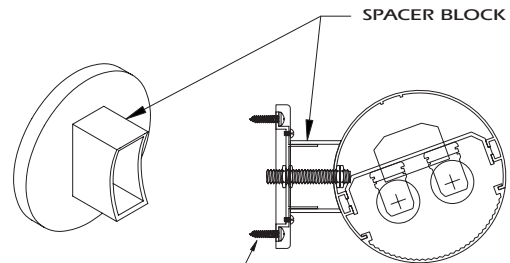
For any angular corner, ()° must be specified and dimensions must be included on the layout

For any pattern, a layout must accompany the order.

INSTALLATION PREPARATION



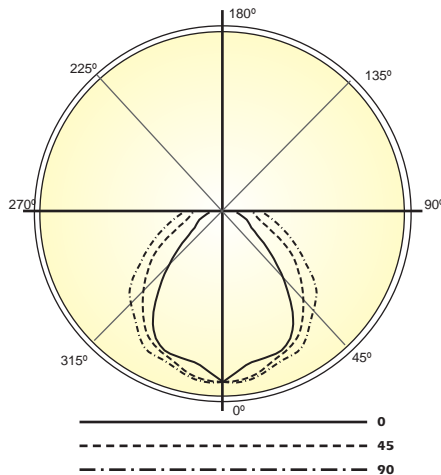
TYPICAL JOINT



NOTE: THESE SCREWS DO NOT ATTACH TO ELECTRICAL BOX (NOT SUPPLIED BY DAY-O-LITE)

WALL BRACKET

PHOTOMETRY



LAMP (2) 32W T8
LUMENS: 2900 PER LAMP
ARL-LENS

Candela Distribution:

Vert. Angle	0	22.5	45	67.5	90
0	1234	1234	1234	1234	1234
05	1109	1065	1140	1135	1201
10	1050	1068	1060	1121	1075
15	1050	1068	1060	1121	1075
20	963	1003	1035	1038	1102
25	917	965	991	1064	1109
30	853	867	929	1001	1045
35	735	769	887	978	1013
40	606	667	831	928	975
45	478	536	733	874	918
50	348	441	676	806	851
55	245	328	582	714	759
60	193	262	504	651	674
65	145	226	431	555	603
70	130	193	355	488	526
75	102	165	295	423	447
80	73.2	149	249	365	404
85	56.4	124	226	325	359
90	38.1	116	206	285	343

Optical Distribution:
100% Direct

Coefficients of Utilization - Zonal Cavity Method:

pfc = 0.20

	.8	.7	.5	.3	.1	0												
pcc	.8	.7	.5	.3	.1	0												
pw	.7	.5	.3	.1	.5	.3	.1	.5	.3	.1	0							
RCR	0	70	70	70	68	68	68	65	65	65	62	62	62	60	60	60	59	
1	62	59	56	53	61	58	55	52	55	53	51	53	51	49	51	49	48	46
2	56	51	47	43	55	50	46	42	48	44	41	46	43	40	44	42	39	38
3	51	45	39	35	50	44	39	35	42	38	34	40	37	34	39	36	33	32
4	47	39	34	30	46	39	34	30	37	33	29	36	32	29	34	31	28	27
5	43	35	30	26	42	35	29	25	33	29	25	32	28	25	31	27	25	23
6	40	32	26	22	39	31	26	22	30	25	22	29	25	22	28	24	22	20
7	37	29	23	20	36	28	23	20	27	23	19	26	22	19	26	22	19	18
8	34	26	21	17	33	26	21	17	25	20	17	24	20	17	23	20	17	16
9	32	24	19	16	31	24	19	16	23	19	16	22	18	15	22	18	15	14
10	30	22	17	14	29	22	17	14	21	17	14	21	17	14	20	16	14	13



Total Luminaire Optical
Efficiency = 59.4%