

Features

The PTP44 is a sleeker version of our standard PTP linear series. The PTP44 is designed for surface, suspended, wall or recessed mounting. The PTP44 smaller size allows for versatility and creativity in modern applications. PTP44 is the ideal luminaire for open spaces and energy efficient applications.

Specifications

HOUSING: Die formed 20-gauge cold rolled steel housing. Joiner ends are notched below the lamps for continuous appearance in row mounted applications.

SHIELDING: Parabolic semi-specular low iridescence aluminum louver. Prismatic, White Opal and P95-satin acrylic as well as a Steel Cross Baffle are available.

REFLECTOR: Die formed 20-gauge cold rolled steel minimum 90% reflectivity finished in baked white enamel.

ELECTRICAL: Ballast is electronic, low-profile, universal voltage 120/277, high power factor, thermally protected, sound rated A with less than 10% total harmonic distortion. Luminaires in rows are pre-wired with quick connect through wiring. The minimum number of ballasts will be used unless otherwise specified. Please consult factory for lamp/ballast availability.

BALLAST DISCONNECT: Luminaires are pre-wired with integrated locking disconnects.

MOUNTING: Standard installation is an adjustable self locking aircraft assembly 48" x 3/32" with a 5" canopy. One 16/4 SJT straight 54" cord is provided per power feed location. Standard pendants are available in 24" lengths. Surface, grid, flanged and wall mounting also available. See Mounting Options pages for additional mounting.

FINISH: Fixture housing and steel components are finished in baked white enamel applied over a five-stage pretreatment process.

LAMPS: Fixtures are provided for use with T5, T5HO or T8 lamps. (Supplied by Others)

CERTIFICATION: Luminaires are U.L. Listed, C.S.A. certified and are Union Made in the United States of America. I.B.E.W.

TYPE

Ordering Guide

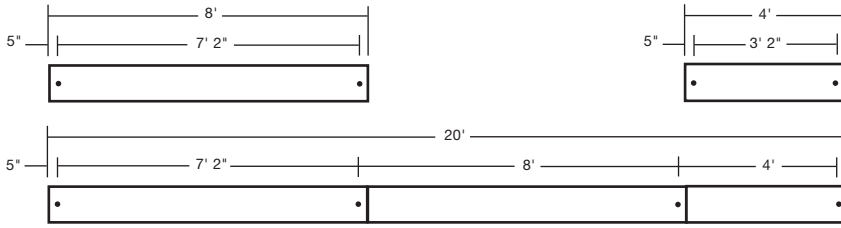
MODEL NO.	DIRECTION	SHIELDING	NUMBER OF LAMPS	LAMPS	MOUNTING	ROW LENGTH	FINISH	VOLTAGE	OPTIONS
PTP44									
PTP44	D = Direct I = Indirect DI10% = Direct / 10% Indirect	PRS = Prismatic Acrylic WOA = White Opal Acrylic P95 = Satin Acrylic PBL = Parabolic Louver SCB = Steel Cross Baffle	1 2	T8 T5 T5HO	AC = Cable PD = Pendant G = Grid F = Flange S = Surface WM = Wall Mount	4 = 4 ft 8 = 8 ft For other, please enter row length (eg. 48 = 48 ft)	W = White CC = Custom Color	UNV = 120/277	DIM = Dimming Ballast EPC = Emergency Battery Pack EMC = Emergency Circuit TCW = Two Circuit Wiring SOC = Sensor Option OTH = Other options available, see page 355

Example » PTP44 | D | PBL | 2T5HO | AC | 4 | W | UNV

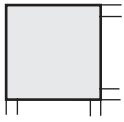
PTP44 direct with a parabolic louver for two 54 watt T5HO lamps, aircraft cable mounted 4' fixture, finished in baked white enamel, universal voltage electronic ballast less than 10% total harmonic distortion.



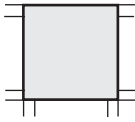
Linear Sections and Suspension Location



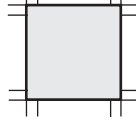
JOINERS



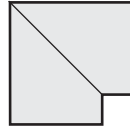
JB2
JB2-90° (Corner)
Joiner Box



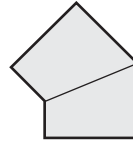
JB3
JB3-3-Way
(Tee) Joiner Box



JB4
JB4-4-Way (Cross)
Joiner Box



C2
90° Corner



()° AC
Angular
Corner

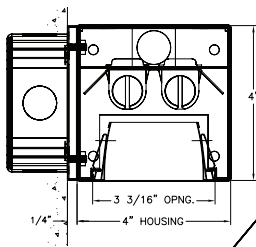
For any angular corner, ()° must be specified and dimensions must be included on the layout

For any pattern, a layout must accompany the order.

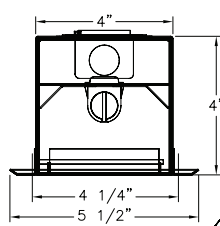
CORNERS Corners and fixture extensions are custom fabricated to precise dimensions. Please indicate the specific requirements on the layout

Installation Preparation

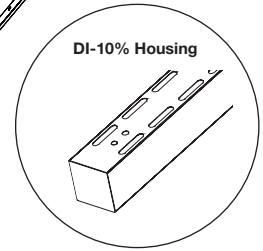
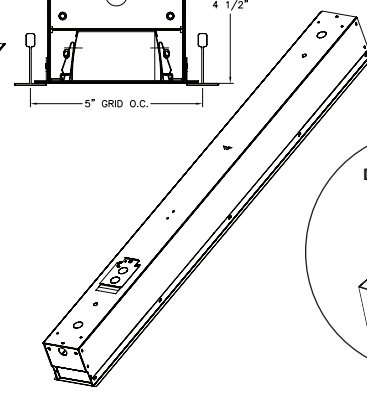
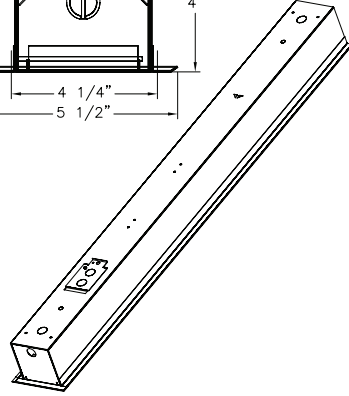
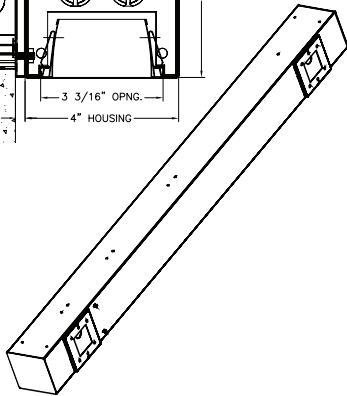
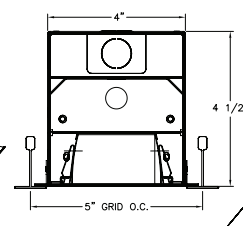
WALL MOUNT



FLANGE



GRID



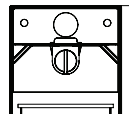
Photometry

COEFFICIENTS OF UTILIZATION-ZONAL CAVITY METHOD

pfc = 0.20

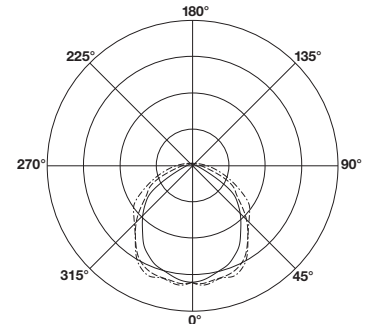
pcc pw	.8				.7				.5				.3				.1				0																			
	.7	.5	.3	.1	.7	.5	.3	.1	.5	.3	.1	.5	.3	.1	.5	.3	.1	.5	.3	.1	.5	.3	.1	.5	.3	.1	.5	.3	.1	.5	.3	.1								
RCR																																								
0	90	90	90	90	88	88	88	88	84	84	84	84	80	80	80	80	77	77	77	77	75	75	75	75																
1	83	79	76	74	81	78	75	72	74	72	70	71	70	68	69	67	66	64	65	61	58	56	54	54																
2	76	70	65	61	74	68	64	60	66	62	59	63	60	57	61	58	56	54	51	51																				
3	69	62	56	51	67	60	55	51	58	54	50	56	52	49	54	51	48	46	44	44																				
4	63	55	48	44	62	54	48	43	52	47	43	50	46	42	49	45	42	40	38	38																				
5	58	49	43	38	57	48	42	37	47	41	37	45	40	37	44	40	36	35	32	32																				
6	54	44	38	33	53	44	37	33	42	37	33	41	36	32	40	35	32	30	28	28																				
7	50	40	34	29	49	40	33	29	38	33	29	37	32	29	36	32	28	27	25	25																				
8	47	37	30	26	45	36	30	26	35	30	26	34	29	26	33	29	25	24	22	22																				
9	44	34	28	23	42	33	27	23	32	27	23	32	27	23	31	26	23	22	20	20																				
10	41	31	25	21	40	31	25	21	30	25	21	29	24	21	28	24	21	20	18	18																				

Total Luminaire Optical
Efficiency = 75.8%



CANDELA DISTRIBUTION

Vert. Angle	0	22.5	45	67.5	90
0	1432	1432	1432	1432	1432
5	1415	1430	1452	1465	1471
10	1375	1390	1432	1444	1453
15	1331	1370	1419	1436	1425
20	1293	1338	1403	1440	1450
25	1225	1290	1362	1397	1411
30	1147	1214	1289	1319	1323
35	1029	1100	1172	1187	1182
40	924	991	1053	1056	1062
45	823	887	928	967	978
50	716	777	783	878	912
55	574	621	662	795	840
60	272	383	588	678	697
65	36.0	161	451	541	557
70	10.4	109	253	370	428
75	8.62	90.1	126	243	311
80	6.82	52.7	72.7	175	214
85	4.10	20.0	40.4	80.4	111
90	1.81	10.4	16.4	22.6	24.6



— 0
- - - 45
- · - 90

Lamp (1) 54w T5HO

Lumens: 5000 Per Lamp

Optical Distribution:
100% Direct

Day-O-Lite reserves the right to change product specifications without notice for product improvement.