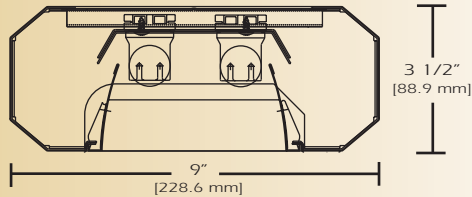


General Illumination

AP-35-D



TYPE _____

FEATURES

The AP 35 D series is a direct version of the family of beveled steel luminaires. The AP 35 D is designed with direct distribution for suspended or surface mounting. This series can be mounted individually, in perfectly aligned continuous rows, or in any of combination of patterns. This series is available with a variety of down light shielding components. The AP 35 D series is an ideal solution for smaller spaces with lower ceiling heights.

SPECIFICATIONS

Housing: Two piece die formed 20-gauge cold rolled steel welded construction forming a 3 1/2" x 9" beveled profile. Finished end caps are laser cut 18-gauge cold rolled steel, with no exposed hardware or knockouts. Adjustable mounting brackets provide precision alignment of continuous rows.

Reflector: Die formed 20-gauge cold rolled steel minimum 90% reflectivity finished in high gloss baked white enamel.

Shielding: Parabolic louver is semi-specular low iridescence aluminum 1 1/4" x 4" O.C. with 12 cells per 4' section. Four spring clips secure snap in baffle including two tethers.

Electrical: Ballast is electronic, high power factor, thermally protected class P, sound rated A, with less than 20% total harmonic distortion. The minimum number of ballasts will be used unless otherwise specified.

Mounting: Standard Installation is an adjustable self-locking aircraft cable assembly 48" x 3/32" in diameter with 5" canopy. One 16/4 SJT straight 54" cord is supplied with each power feed. Standard pendants are available in 24" lengths. See Accessories for additional mounting.

Finish: Fixture housing and steel components are finished in baked white enamel applied over a five-stage pretreatment process.

Lamps: Fixtures are provided for use with one, two or three 32 watt T8 lamps or 54 watt T5 HO lamps. (Supplied by Others)

Certification: Luminaires are U. L. Listed, C. S. A. certified and are Union Made in the United States of America. I.B.E.W.

ORDERING GUIDE

MODEL NO.	DIRECTION	SHIELDING	LAMPS	MOUNTING	LENGTH	FINISH	VOLTAGE	OPTIONS
AP-35	D							
AP-35	D= Direct	PBL= Parabolic Louver SCB= Steel Cross Baffle PRS= Prismatic Acrylic WOA= White Opal Acrylic	132 T8 232 T8 332 T8 154T5 HO 254T5 HO 354T5 HO O=Other Specify	AC= Cable PD= Pendant S= Surface See Accessories	4= ft 8= ft for other, please enter row length (eg. 48=48ft)	W= White CC= Custom Color	120v 277v	See Options Below

Example: **AP35-D-PBL-232T8-AC-4-W-120V**

AP35 direct with parabolic louver for two 32 watt T8 lamps including two 48 inch aircraft cables and power feed four foot fixture finished in baked white enamel 120v electronic ballast less than 20% total harmonic distortion.

OPTIONS

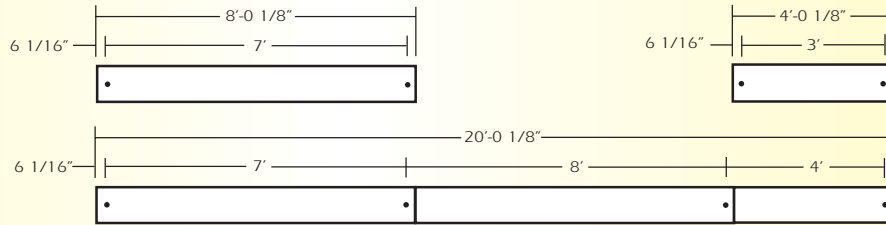
- E10=** Electronic ballast, high power factor, thermally protected class P, sound rated A, < 10% total harmonic distortion
- DIM=** Dimming Ballast
- EPC=** Emergency Battery Pack
- EMC=** Emergency Circuit
- TCW=** Two Circuit Wiring
- TDW=** Tandem Wiring
- OTH=** See Accessories for other options available

General Illumination

AP-35-D

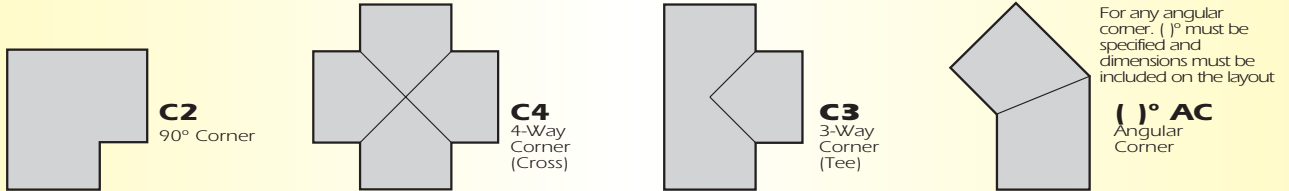
LINEAR SECTIONS AND SUSPENSION LOCATION

SUSPENSION MOUNTING



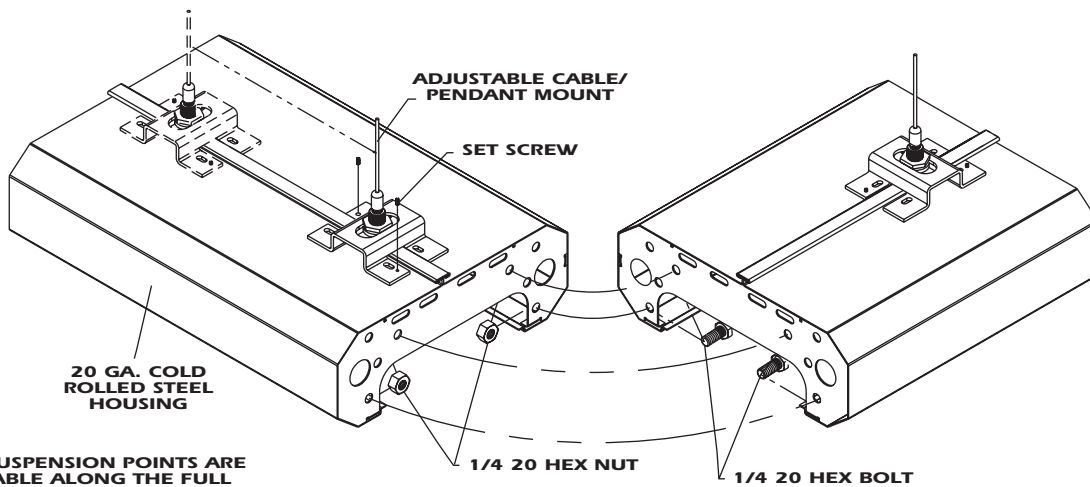
CORNERS

Corners and fixture extensions are custom fabricated to precise dimensions. Please indicate the specific requirements on the layout



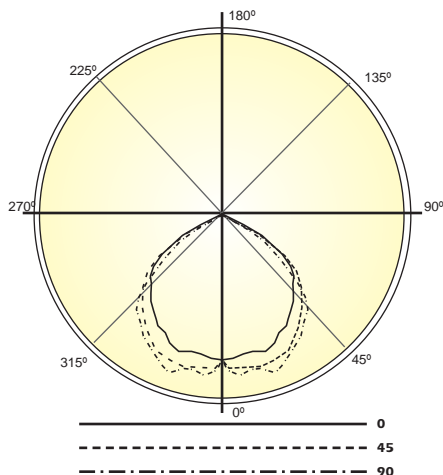
For any pattern, a layout must accompany the order.

INSTALLATION PREPARATION



NOTE: SUSPENSION POINTS ARE ADJUSTABLE ALONG THE FULL LENGTH OF THE HOUSING

PHOTOMETRY



LAMP (2) 32W T8
LUMENS: 2900 PER LAMP
PARABOLIC LOUVER

Candela Distribution:

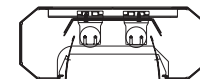
Vert. Angle	0	22.5	45	67.5	90
0	1241	1241	1241	1241	1241
5	1202	1203	1328	1332	1375
10	1104	1186	1212	1277	1269
15	1073	1097	1166	1276	1342
20	1015	1106	1145	1263	1402
25	1034	1063	1142	1277	1472
30	1013	1026	1114	1295	1480
35	957	997	1112	1272	1512
40	918	964	1063	1239	1512
45	784	840	998	1092	1329
50	643	661	797	830	976
55	384	393	516	516	618
60	134	161	242	259	294
65	60.8	80.3	119	124	129
70	40.7	63.5	84.3	76.5	84.7
75	27.7	44.7	60.5	62.1	68.1
80	25.4	32.7	44.4	44.1	51.2
85	14.5	14.8	25.4	32.1	37.5
90	3.80	7.75	16.8	22.2	25.9

Optical Distribution:
100% Direct

Coefficients of Utilization - Zonal Cavity Method:

pfc = 0.20

	.8	.7	.5	.3	.1	0												
pcc	.8	.7	.5	.3	.1	0												
pw	.7	.5	.3	.1	.5	.3	.1	.5	.3	.1	0							
RCR																		
0	64	64	64	64	62	62	62	59	59	59	57	57	57	54	54	54	53	
1	59	57	55	54	58	56	54	53	54	52	51	52	51	49	50	49	48	47
2	55	51	48	45	53	50	47	45	48	46	44	46	45	43	45	43	42	41
3	50	46	42	39	49	45	41	38	43	40	38	42	39	37	41	38	37	35
4	47	41	37	34	45	40	36	33	39	36	33	38	35	32	37	34	32	31
5	43	37	32	29	42	36	32	29	35	32	29	34	31	28	33	30	28	27
6	40	33	29	26	39	33	29	26	32	28	25	31	28	25	30	27	25	24
7	37	30	26	23	36	30	26	23	29	25	23	28	25	22	28	25	22	21
8	34	28	23	20	34	27	23	20	26	23	20	26	22	20	25	22	20	19
9	32	25	21	18	31	25	21	18	24	21	18	24	20	18	23	20	18	17
10	30	23	19	16	29	23	19	16	22	19	16	22	19	16	21	18	16	15



Total Luminaire Optical Efficiency = 53.8%

SCW-2