

Features

The Jazz 1186 is one variation of a complete family of direct/indirect fluorescent luminaires. Constructed of perforated steel with architectural ends, it features a “reveal” between modules in continuous rows. The Jazz 1186 series is fully perforated with 1/16" holes on 3/32" staggered centers and is furnished with a continuous parabolic louver fluorescent compartment for controlled down light. The computer designed optical system creates widespread indirect distribution, while the direct parabolic louver component provides useful contrast.

Specifications

HOUSING: One piece die formed 20-gauge cold rolled steel welded construction forming a 12 13/16" x 3 1/16" rounded profile. Perforated housing is 1/16" holes on 3/32" staggered centers with white acrylic .020 translucent overlay. The centered compartment is furnished with continuous parabolic louver for controlled down lighting. The housing trim is die formed cold rolled steel. The decorative extruded aluminum joiner incorporates mounting and leveling hanging support for joining fixtures in rows and patterns. Individual and end of row fixtures have recessed finished end caps with no exposed hardware or knockouts.

REFLECTOR: Die formed 20 gauge cold rolled steel minimum 90% reflectivity finished in high gloss baked white enamel. Die formed specular reflector is also available.

SHIELDING: Parabolic louver is semi-specular low iridescence aluminum 1" x 4" O.C. with 12 cells per 4' section. Four spring clips secure snap in louver.

ELECTRICAL: Ballast is electronic, low-profile, universal voltage 120/277, high power factor, thermally protected, sound rated A with less than 10% total harmonic distortion. Luminaires in rows are pre-wired with quick connect through wiring. The minimum number of ballasts will be used unless otherwise specified. Please consult factory for lamp/ballast availability.

BALLAST DISCONNECT: Luminaires are pre-wired with integrated locking disconnects.

MOUNTING: Standard Installation is an adjustable self-locking aircraft cable assembly 48" x 3/32" in diameter with 5" canopy. One 16/4 SJT straight 54" cord is supplied with each power feed. Standard pendants are available in 24" lengths. See Mounting Options pages for additional mounting.

FINISH: Fixture housing and steel components are finished in baked white enamel applied over a five-stage pretreatment process.

LAMPS: Fixtures provided for use with three T8, T5 or T5HO lamps. (Supplied by Others)

CERTIFICATION: Luminaires are U.L. Listed, C.S.A. certified and are Union Made in the United States of America I.B.E.W.

TYPE

Ordering Guide

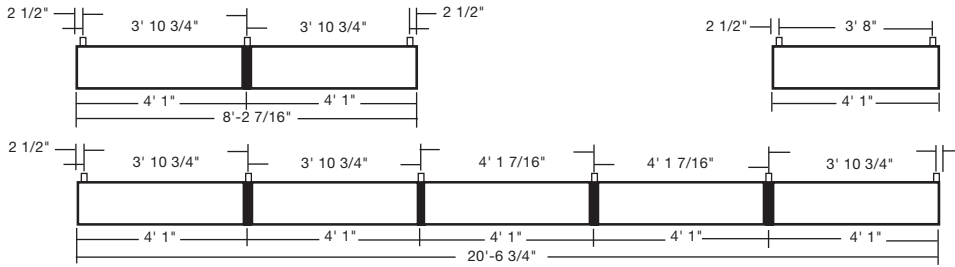
MODEL NO.	DIRECTION	NUMBER OF LAMPS	LAMPS	MOUNTING	ROW LENGTH	FINISH	VOLTAGE	OPTIONS
JAZ-1186	DI							
JAZ-1186	DI = Direct/ Indirect	3	T8 T5 T5HO	AC = Cable PD = Pendant Other mounting options available, see pgs. 357-359	4 = 4 ft 8 = 8 ft For other, please enter row length (eg. 48 = 48 ft)	W = White CC = Custom Color	UNV = 120/277	DIM = Dimming Ballast EPC = Emergency Battery Pack EMC = Emergency Circuit TCW = Two Circuit Wiring OTH = Other options available, see page 355

Example » **JAZ-1186** | **DI** | **3T8** | **AC** | **4** | **W** | **UNV**

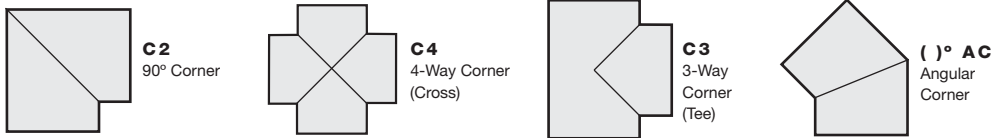
Jazz 1186 direct/indirect for three 32 watt T8 lamps including two 48 inch aircraft cables and power feed four foot fixture finished in baked white enamel universal voltage electronic ballast less than 10% total harmonic distortion.

Linear Sections and Suspension Location

SUSPENSION MOUNTING



CORNERS Corners and fixture extensions are custom fabricated to precise dimensions. Please indicate the specific requirements on the layout

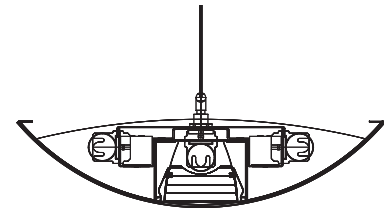
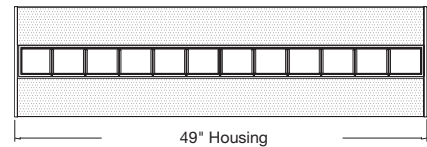
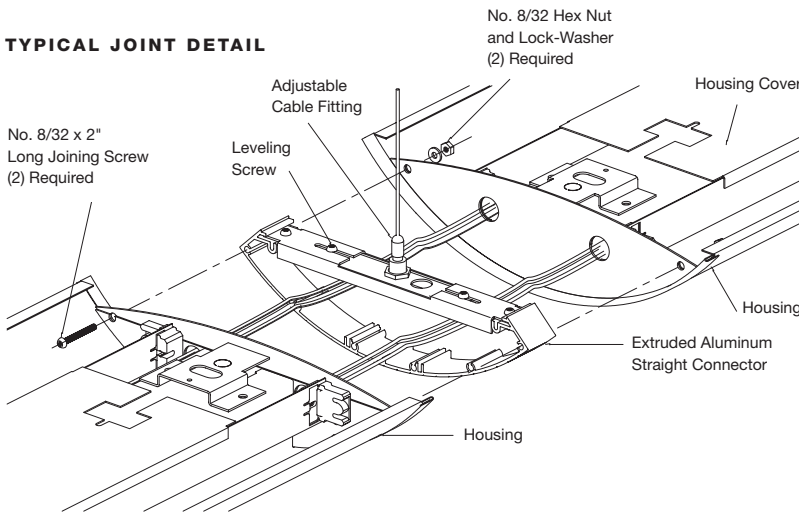


For any angular corner, ()° must be specified and dimensions must be included on the layout

For any pattern, a layout must accompany the order.

Installation Preparation

TYPICAL JOINT DETAIL



Photometry

COEFFICIENTS OF UTILIZATION-ZONAL CAVITY METHOD

pf_c = 0.20

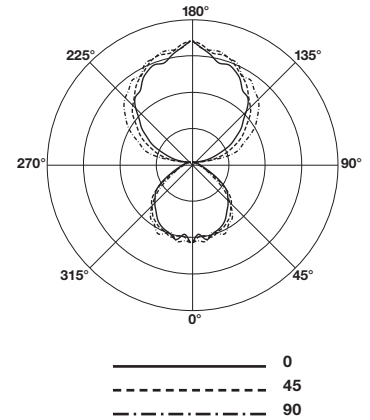
pcc pw	.8				.7				.5				.3				.1				0							
	.7	.5	.3	.1	.7	.5	.3	.1	.5	.3	.1	.5	.3	.1	.5	.3	.1	.5	.3	.1	.5	.3	.1	.5	.3	.1		
RCR																												
0	85	85	85	85	76	76	76	76	60	60	60	60	45	45	45	45	31	31	31	31	25	25	25	25	25	25	25	25
1	78	74	71	69	70	67	64	62	53	51	50	40	39	38	28	28	27	22	22	22	22	22	22	22	22	22	22	22
2	71	65	61	57	64	59	55	52	47	44	42	36	34	32	25	24	23	19	19	19	19	19	19	19	19	19	19	19
3	65	58	52	48	58	52	47	44	42	38	35	32	30	28	23	21	20	16	16	16	16	16	16	16	16	16	16	16
4	59	51	45	40	53	46	41	37	37	33	30	28	26	24	20	19	18	14	14	14	14	14	14	14	14	14	14	14
5	55	46	39	35	49	41	36	32	33	29	26	26	23	21	18	17	16	13	13	13	13	13	13	13	13	13	13	13
6	50	41	34	30	45	37	32	28	30	26	23	23	20	18	17	15	14	11	11	11	11	11	11	11	11	11	11	11
7	46	37	31	26	42	33	28	24	27	23	20	21	18	16	15	14	12	10	10	10	10	10	10	10	10	10	10	10
8	43	33	27	23	38	30	25	21	24	21	18	19	16	14	14	12	11	9	9	9	9	9	9	9	9	9	9	9
9	40	30	24	20	36	28	22	19	22	18	16	17	15	13	13	11	10	8	8	8	8	8	8	8	8	8	8	8
10	37	28	22	18	33	25	20	17	20	17	14	16	13	11	12	10	9	7	7	7	7	7	7	7	7	7	7	7

Total Luminaire Optical Efficiency = 69.1%



CANDELADISTRIBUTION

Vert. Angle	0	22.5	45	67.5	90
0	933	933	933	933	933
10	881	923	936	949	970
20	847	879	948	1019	1022
30	759	834	929	953	965
40	646	758	812	802	804
50	529	622	610	589	594
60	377	409	364	301	270
70	145	158	146	137	132
80	62.0	67.6	89.1	101	103
90	12.9	37.0	59.1	74.5	83.2
100	127	155	150	163	156
110	344	312	347	357	354
120	535	495	497	548	582
130	719	675	652	659	669
140	853	833	785	791	797
150	976	979	934	905	897
160	1058	1073	1048	1022	1029
170	1129	1123	1124	1125	1134
180	1149	1149	1149	1149	1149



Lamp (3) 32w T8

Lumens: 2900 Per Lamp

Optical Distribution:
45% Direct: 55% Indirect

Day-O-Lite reserves the right to change product specifications without notice for product improvement.