

TYPE _____

FEATURES

The G4-DI-5 presents a unique shallow winged profile and is one variation of a complete family of suspended linear fluorescent luminaires. The G4-DI-5 is a direct/indirect version of the family of luminaires and provides exceptional performance. Constructed of perforated steel and aluminum extrusions, it features a "reveal" between modules in continuous rows. The computer designed optical system creates a widespread indirect distribution while offering a wide variety of direct perforated accent patterns along its wings creating its own unique styling contrast.

SPECIFICATIONS

Housing: One piece die formed 20 gauge cold rolled steel welded construction forming a 2 5/8" x 11" wave profile. Continuous obround pattern is 3/16" x 1/2" staggered with white .020 translucent overlay. The housing ends are die formed extruded aluminum. The decorative intermediate end caps are provided for mounting and joining individual fixtures in rows. Finished ends are laser cut aluminum, with no exposed hardware or knockouts.

Reflector: Die formed 20-gauge cold rolled steel minimum 90% reflectivity in high gloss white enamel with die formed .025 specular anodized aluminum center reflector.

Electrical: Ballast is electronic, high power factor, thermally protected class P, sound rated A, with less than 20% total harmonic distortion. The minimum number of ballasts will be used unless otherwise specified.

Mounting: Standard Installation is an adjustable self-locking aircraft cable assembly 48" x 3/32" in diameter with 5" canopy. One 1/4 SJT straight 54" cord is supplied with each power feed. Standard pendants are available in 24" lengths. See Accessories for additional mounting.

Finish: Fixture housing and steel components are finished in baked white enamel applied over a five-stage pretreatment process.

Lamps: Fixtures are provided for use with two 32 watt T8 lamps. (Supplied by Others)

Certification: Luminaires are U. L. Listed, C. S. A. certified and are Union Made in the United States of America I.B.E.W.

ORDERING GUIDE

MODEL NO.	DIRECTION	SHIELDING	LAMPS	MOUNTING	LENGTH	FINISH	VOLTAGE	OPTIONS
G4	- DI	- 5	- 232T8	- AC	- 4	- W	- 120v	- See Options Below
G4	DI = Direct/Indirect	5 =Obround Stagger	232T8	AC = Cable PD = Pendant	4 = 4 ft 8 = 8 ft	W = White CC = Custom Color	120v 277v	
			O =Other Specify	See Accessories	for other, please enter row length (eg. 48=48ft)			

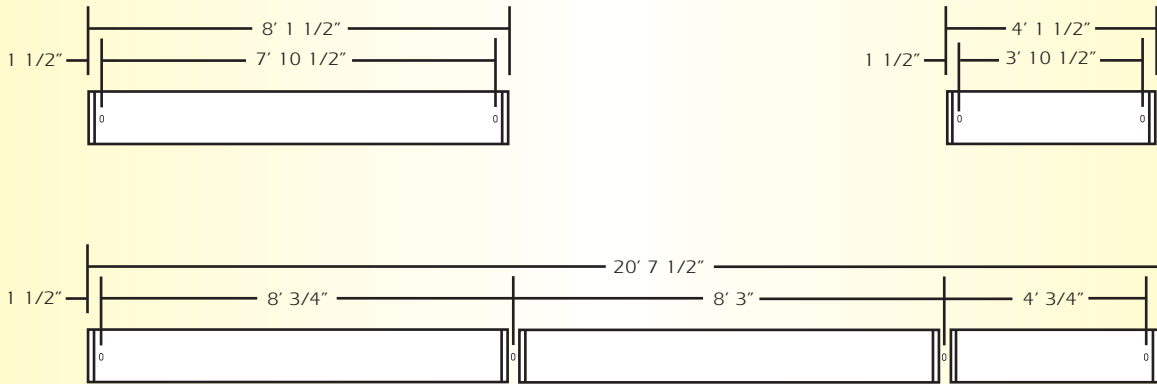
Example: **G4-DI-5-232T8-AC-4-W-277V**

Generation Four with obround staggered continuous pattern with opal overlay for two 32 watt T8 lamps with two 48 inch aircraft cables and power feed four foot fixture finished in baked white enamel with 277v electronic ballast less than 20% total harmonic distortion.

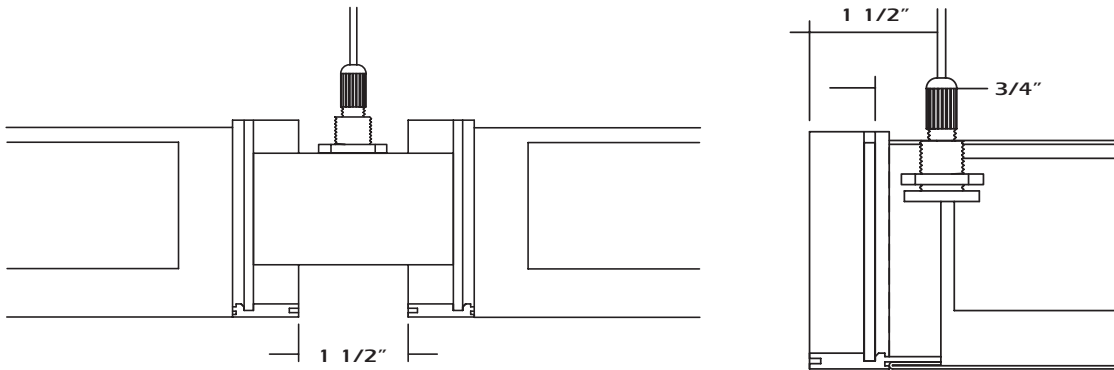
OPTIONS

- E10=** Electronic ballast, high power factor, thermally protected class P, sound rated A, < 10% total harmonic distortion
- DIM=** Dimming Ballast
- EPC=** Emergency Battery Pack
- EMC=** Emergency Circuit
- TCW=** Two Circuit Wiring
- TDW=** Tandem Wiring
- QCW=** Quick Connect Wiring
- OTH=** See Accessories for other options available

LINEAR SECTIONS AND SUSPENSION LOCATION



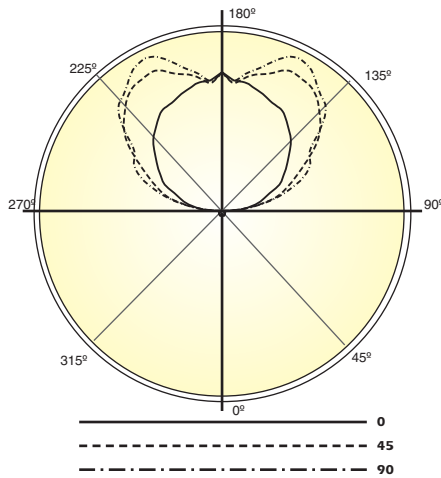
INSTALLATION PREPARATION



TYPICAL JOINT DETAIL

TYPICAL END DETAIL

PHOTOMETRY



LAMP (2) 32W T8
LUMENS: 2900 PER LAMP

Candela Distribution:

Vert. Angle	0	22.5	45	67.5	90
0	27	27	27	27	27
5	27	27	27	31	26
15	24	28	35	32	27
25	32	29	30	31	28
35	26	23	27	26	29
45	22	22	25	24	27
55	14	23	20	25	27
65	14	15	21	23	24
75	10	11	16	22	22
85	5	9	17	20	23
95	145	149	139	128	128
105	330	385	446	480	458
115	475	623	641	696	748
125	631	814	889	867	862
135	778	958	1065	1136	1127
145	870	998	1192	1245	1283
155	937	1027	1168	1260	1304
165	955	1074	1120	1187	1135
175	961	1032	985	1053	1029
180	1039	1039	1039	1039	1039

Optical Distribution:
97% Indirect: 3% Direct

Coefficients of Utilization - Zonal Cavity Method:

pfc = 0.20

	.8	.7	.5	.3	.1	0
pcc	.8	.7	.5	.3	.1	0
pw	.7	.5	.3	.1	.5	.3
RCR	.1	.7	.5	.3	.1	.5
0	75	75	75	75	65	65
1	68	65	62	60	59	56
2	62	57	52	49	53	49
3	57	50	45	40	48	43
4	52	44	38	34	44	38
5	47	39	33	29	40	33
6	43	35	29	24	37	30
7	40	31	25	21	34	27
8	37	28	22	18	31	24
9	34	25	20	16	29	22
10	32	23	18	14	27	20



Total Luminaire Optical Efficiency = 78.5%