

Other shielding perforation options available, see page 360

Features

The G2-DI is one variation of a complete family of suspended linear fluorescent luminaires. The G2-DI is a direct/indirect version of the family of luminaires. The computer designed optical system creates a widespread indirect distribution while the variety of direct components provides contrast. The low profile and modern design provide excellent efficiency and styling where high performance and uniform lighting are required.

Specifications

HOUSING: One piece die formed 20-gauge cold rolled steel welded construction forming a 6" x 2" rounded profile. Continuous perforated sections with white .020 translucent overlay. Finished end caps are laser cut 16-gauge cold rolled steel, with no exposed hardware or knockouts. Aligner brackets are provided to eliminate light leaks and for precision alignment of continuous rows.

REFLECTOR: Die formed 20-gauge cold rolled steel minimum 90% reflectivity finished in high gloss baked white enamel with die formed side reflectors.

ELECTRICAL: Ballast is electronic, universal voltage 120/277, high power factor, thermally protected, sound rated A with less than 10% total harmonic distortion. Luminaires in rows are pre-wired with quick connect through wiring. The minimum number of ballasts will be used unless otherwise specified.

BALLAST DISCONNECT: Luminaires are pre-wired with integrated locking disconnects.

MOUNTING: Standard Installation is an adjustable self-locking aircraft cable assembly 48" x 3/32" in diameter with 5" canopy. One 16/4 SJT straight 54" cord is supplied with each power feed. Standard pendants are available in 24" lengths. See Mounting Options pages for additional mounting.

FINISH: Fixture housing and steel components are finished in baked white enamel applied over a five-stage pretreatment process.

LAMPS: Fixtures are provided for use with one to two T5 or T5HO lamps. (Supplied by Others)

CERTIFICATION: Luminaires are U. L. Listed, C.S.A. certified and are Union Made in the United States of America I.B.E.W.

TYPE

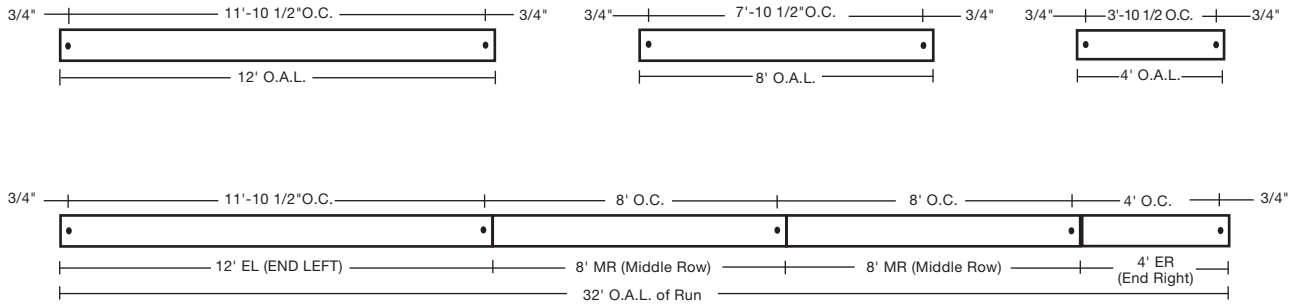
Ordering Guide

MODEL NO.	DIRECTION	SHIELDING	NUMBER OF LAMPS	LAMPS	MOUNTING	ROW LENGTH	FINISH	VOLTAGE	OPTIONS
G2	DI	3							
G2	DI = Direct/ Indirect	3 = Perforated Continuous (shown) Other shielding options avail- able, see page 360	1 2	T5 T5HO	AC = Cable PD = Pendant Other mount- ing options available, see pgs. 357-359	4 = 4 ft 8 = 8 ft 12 = 12 ft For other, please enter row length (eg. 48 = 48 ft)	W = White CC = Custom Color	UNV = 120/277	DIM = Dimming Ballast EPC = Emergency Battery Pack EMC = Emergency Circuit TCW = Two Circuit Wiring SPEC = Specular Side Reflectors OTH = Other options available, see page 355

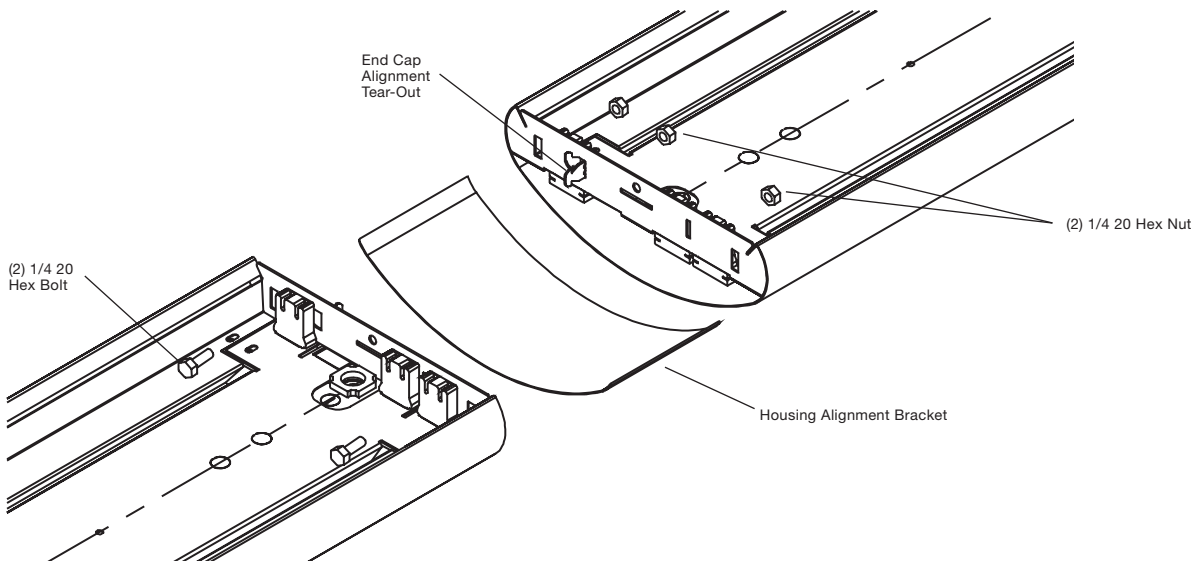
Example » G2 | DI | 3 | 2T5HO | AC | 4 | W | UNV

Generation Two with perforated continuous pattern with opal overlay for two 54 watt T5HO lamps with two 48 inch aircraft cables and power feed four foot fixture finished in baked white enamel with universal voltage electronic ballast less than 10% total harmonic distortion.

Linear Sections and Suspension Location



Installation Preparation



Photometry

COEFFICIENTS OF UTILIZATION - ZONAL CAVITY METHOD

pf_c = 0.20

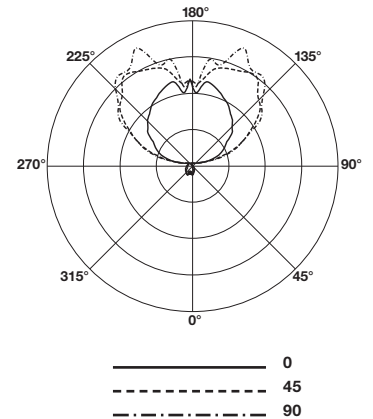
pcc	.8		.7		.5		.3		.1		0							
	.7	.5	.3	.1	.7	.5	.3	.1	.5	.3	.1	0						
RCR																		
0	86	86	86	86	74	74	74	74	52	52	52	32	32	32	13	13	13	4
1	78	75	72	69	68	65	62	60	46	44	43	28	27	26	11	11	11	4
2	72	66	61	56	61	57	53	49	40	38	35	25	23	22	9	9	9	4
3	65	58	52	47	56	50	45	41	35	32	30	22	20	19	8	8	8	3
4	60	51	44	40	51	44	39	35	31	28	25	19	18	16	7	7	7	3
5	55	45	39	34	47	39	34	30	28	24	22	17	15	14	6	6	6	3
6	50	40	34	29	43	35	29	25	25	21	19	16	14	12	5	5	5	2
7	46	36	30	25	40	31	26	22	22	19	16	14	12	11	5	5	5	2
8	43	32	26	22	37	28	23	19	20	17	14	13	11	9	4	4	4	2
9	39	29	23	19	34	26	20	17	18	15	13	12	10	8	4	4	4	2
10	37	27	21	17	32	23	18	15	17	13	11	11	9	7	3	3	3	2

Total Luminaire Optical Efficiency = 89.4%



CANDELA DISTRIBUTION

Vert. Angle	0	22.5	45	67.5	90
0	345	345	345	345	345
10	296	295	290	298	323
20	284	262	272	277	234
30	222	211	180	146	146
40	182	173	115	62.3	67.5
50	125	86.7	51.6	45.3	55.8
60	49.4	28.1	17.8	19.4	19.6
70	3.27	3.18	4.75	4.13	3.89
80	3.23	4.02	2.79	2.15	2.51
90	28.6	30.0	33.0	37.9	36.7
100	342	574	708	790	806
110	576	989	1177	1303	1345
120	867	1259	1717	1839	1904
130	1103	1439	1985	2267	2329
140	1280	1596	2050	2472	2518
150	1513	1701	2029	2294	2471
160	1648	1749	1901	2034	2089
170	1627	1731	1782	1887	1792
180	1752	1752	1752	1752	1752



Lamp (2) 54w T5HO

Lumens: 5000 Per Lamp

Optical Distribution:
5% Direct: 95% Indirect

Day-O-Lite reserves the right to change product specifications without notice for product improvement.