

Features

The PTP EP architectural linear series is an extraordinary efficient steel luminaire. The PTP EPAO is designed with direct and indirect distribution for wall mounting. This series can be mounted individually, in perfectly aligned continuous rows or in any of combination of patterns. The PTP EPAO WM is an asymmetric outward indirect distribution. This series is available with direct and indirect lamp control and almost limitless variety of down light shielding. The PTP series is an ideal solution for open spaces and provides maximum design versatility.

Specifications

HOUSING: Die formed 20 gauge cold rolled steel welded construction, top and bottom of housing have a 3/8" regression for structural rigidity and conformity. Joiner ends are notched below the lamps for ease of installation and continuous baffle appearance. Finished end caps are laser cut 18 gauge cold rolled steel, with no exposed hardware or knockouts. Housing aligners provide precision alignment for continuous rows.

REFLECTOR: Both direct and indirect reflectors are die formed 20-gauge cold rolled steel minimum 90% reflectivity finished in high gloss baked white enamel.

SHIELDING: Parabolic louver is semi-specular low iridescence aluminum 1 1/2" x 2" O.C. with 24 cells per 4' section for direct lighting element. Indirect is open.

ELECTRICAL: Ballast is electronic, universal voltage 120/277, high power factor, thermally protected, sound rated A with less than 10% total harmonic distortion. Luminaires in rows are pre-wired with quick connect through wiring. The minimum number of ballasts will be used unless otherwise specified.

BALLAST DISCONNECT: Luminaires are pre-wired with integrated locking disconnects.

MOUNTING: Provided with wall mounting brackets measuring 5" square by 1" deep. Finished in white to match housing.

FINISH: Fixture housing and steel components are finished in baked white enamel applied over a five-stage pretreatment process.

LAMPS: Fixtures are provided for use with two or three T8, T5 or T5HO lamps. (Supplied by Others)

CERTIFICATION: Luminaires are U. L. Listed, C.S.A. certified and are Union Made in the United States of America. I.B.E.W.

TYPE

Ordering Guide

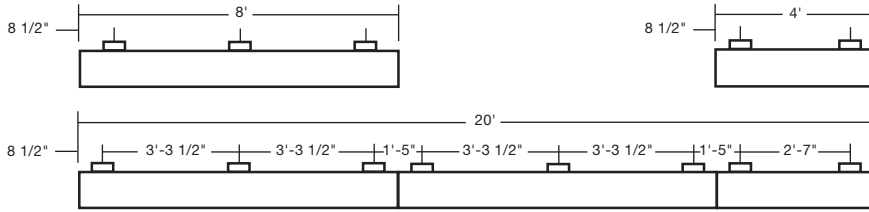
MODEL NO.	DIRECTION	SHIELDING	NUMBER OF LAMPS	LAMPS	MOUNTING	ROW LENGTH	FINISH	VOLTAGE	OPTIONS
PTP	EPAO								
PTP	EPAO = Extended Profile Direct/Indirect Asymmetric Out	PBL = Parabolic Louver SCB = Steel Cross Baffle PRS = Prismatic Acrylic WOA = White Opal Acrylic	1U1D = One Up/One Down 1U2D = One Up/Two Down	T8 T5 T5HO	WM = Wall Mount	2 = 2 ft 3 = 3 ft 4 = 4 ft 5 = 5 ft 6 = 6 ft 8 = 8 ft For other, please enter row length (eg. 48 = 48 ft)	W = White CC = Custom Color	UNV = 120/277	PT3 = Parabolic Reflector (for parabolic louver) DIM = Dimming Ballast EPC = Emergency Battery Pack EMC = Emergency Circuit TWC = Two Circuit Wiring OTH = Other options available, see page 355

Example » PTP | EPAO | PBL | 1U2D | T8 | WM | 4 | W | UNV

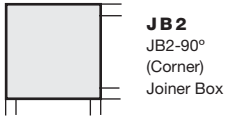
PTP-EPAO direct/indirect asymmetric out with parabolic louver down and open up for two 32 watt T8 lamp down and one 32 watt T8 lamp up wall mounted four foot fixture finished in baked white universal voltage electronic ballast less than 10% total harmonic distortion.



Linear Sections and Suspension Location

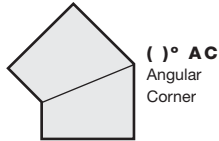
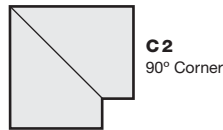


JOINERS



CORNERS

Corners and fixture extensions are custom fabricated to precise dimensions. Please indicate the specific requirements on the layout

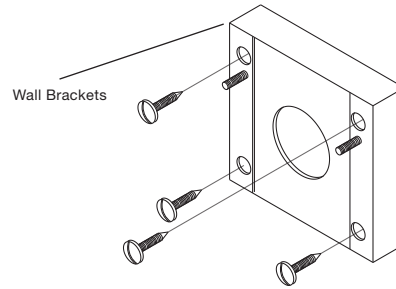
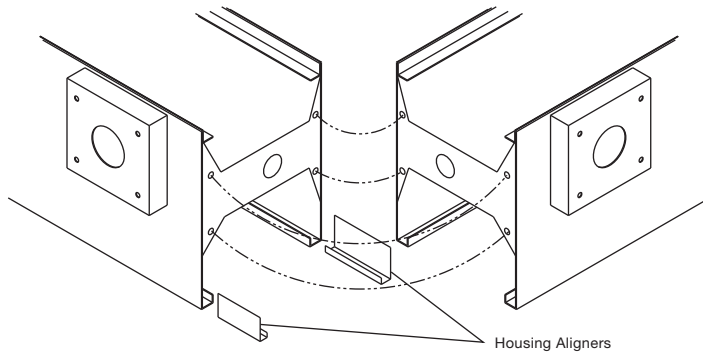


For any angular corner, ()° must be specified and dimensions must be included on the layout

For any pattern, a layout must accompany the order.

Installation Preparation

TYPICAL JOINT DETAIL



Photometry

COEFFICIENTS OF UTILIZATION-ZONAL CAVITY METHOD

pfc = 0.20

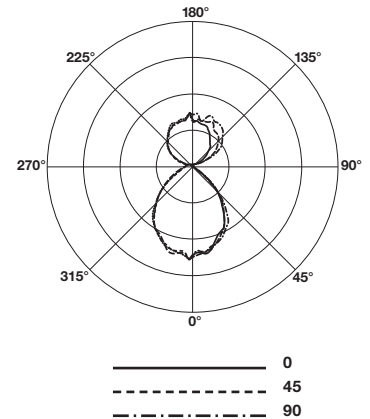
pcc	.8			.7			.5			.3			.1			0		
pw	.7	.5	.3	.1	.7	.5	.3	.1	.5	.3	.1	.5	.3	.1	.5	.3	.1	0
RCR																		
0	76	76	76	76	71	71	71	71	61	61	61	52	52	52	44	44	44	40
1	70	68	65	63	65	63	61	59	55	54	52	48	47	46	39	39	39	36
2	65	60	56	53	60	56	53	50	49	47	45	43	41	40	34	34	34	32
3	60	54	49	45	56	50	46	43	44	41	39	39	36	35	30	30	30	28
4	55	48	43	39	51	45	41	37	40	36	34	35	32	30	26	26	26	25
5	51	43	38	34	47	41	36	32	36	32	30	32	29	27	23	23	23	22
6	47	39	34	30	44	37	32	29	33	29	26	29	26	24	20	20	20	19
7	43	35	30	26	41	33	29	25	30	26	23	26	23	21	18	18	18	17
8	40	32	27	23	38	30	26	22	27	23	21	24	21	19	16	16	16	16
9	38	29	24	21	35	28	23	20	25	21	19	22	19	17	15	15	15	14
10	35	27	22	19	33	26	21	18	23	19	17	21	18	16	13	13	13	13

Total Luminaire Optical
Efficiency = 69.2%



CANDELA DISTRIBUTION

Vert. Angle	0	22.5	45	67.5	90
0	1696	1696	1696	1696	1696
10	1698	1641	1689	1637	1677
20	1502	1510	1571	1567	1553
30	1344	1377	1340	1419	1452
40	1105	1107	1138	1196	1286
50	754	760	831	888	945
60	159	162	237	343	389
70	28.2	19.8	22.1	34.9	43.8
80	7.89	5.00	5.47	5.50	6.23
90	2.55	2.27	3.39	3.78	2.83
100	103	180	206	207	196
110	204	318	401	452	467
120	309	400	538	606	633
130	426	498	605	707	740
140	511	576	678	771	819
150	594	653	735	808	817
160	650	684	735	756	765
170	691	709	715	704	738
180	714	714	714	714	714



Lamp (3) 32w T8

Lumens: 2900 Per Lamp

Parabolic Louver

Optical Distribution:
60% Direct: 40% Indirect
Asymmetric

Day-O-Lite reserves the right to change product specifications without notice for product improvement.