

**TYPE** \_\_\_\_\_

**FEATURES**

The G4-I-1 presents a unique shallow winged profile and is one variation of a complete family of suspended linear fluorescent luminaires. The G4-I-1 is an indirect version of the family of luminaires and provides exceptional performance. Constructed of perforated steel and aluminum extrusions, it features a "reveal" between modules in continuous rows. The computer designed optical system creates widespread indirect distribution.

**SPECIFICATIONS**

**Housing:** One piece die formed 20 gauge cold rolled steel welded construction forming a 2 5/8" x 11" wave profile. Solid no pattern. The housing ends are die formed extruded aluminum. The decorative intermediate end caps are provided for mounting and joining individual fixtures in rows. Finished ends are laser cut aluminum, with no exposed hardware or knockouts.

**Reflector:** Die formed 20-gauge cold rolled steel minimum 90% reflectivity in high gloss white enamel with die formed .025 specular anodized aluminum center reflector.

**Electrical:** Ballast is electronic, high power factor, thermally protected class P, sound rated A, with less than 20% total harmonic distortion. The minimum number of ballasts will be used unless otherwise specified.

**Mounting:** Standard Installation is an adjustable self-locking aircraft cable assembly 48" x 3/32" in diameter with 5" canopy. One 1/4 SJT straight 54" cord is supplied with each power feed. Standard pendants are available in 24" lengths. See Accessories for additional mounting.

**Finish:** Fixture housing and steel components are finished in baked white enamel applied over a five-stage pretreatment process.

**Lamps:** Fixtures are provided for use with two 32 watt T8 lamps. (Supplied by Others)

**Certification:** Luminaires are U. L. Listed, C. S. A. certified and are Union Made in the United States of America I.B.E.W.

**ORDERING GUIDE**

MODEL NO.	DIRECTION	SHIELDING	LAMPS	MOUNTING	LENGTH	FINISH	VOLTAGE	OPTIONS
<b>G4</b>	- <b>I</b>	- <b>1</b>	- <b>232T8</b>	- <b>AC</b>	- <b>4</b>	- <b>W</b>	- <b>120v</b>	- <b>See Options Below</b>
<b>G4</b>	<b>I</b> =Indirect	<b>1</b> =Solid	<b>232T8</b>	<b>AC</b> = Cable <b>PD</b> = Pendant	<b>4</b> = 4 ft <b>8</b> = 8 ft	<b>W</b> = White <b>CC</b> = Custom Color	<b>120v</b> <b>277v</b>	
			<b>O</b> =Other Specify	See Accessories	for other, please enter row length (eg. 48=48ft)			

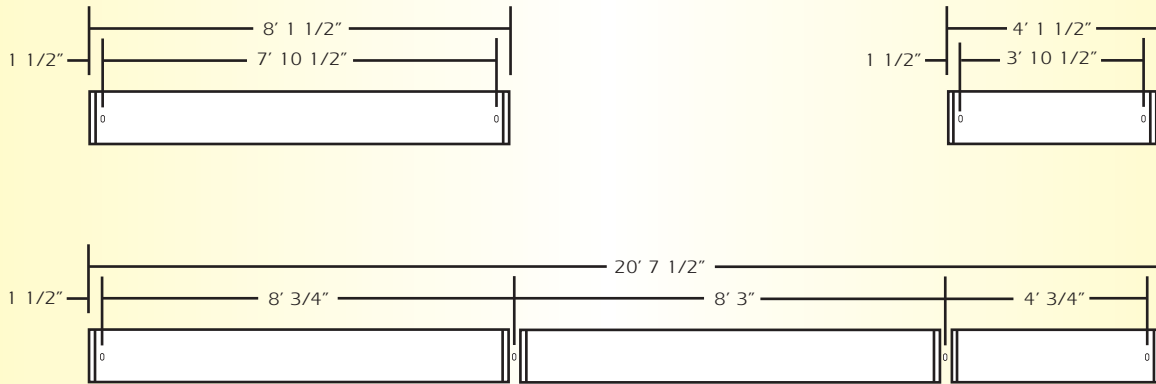
Example: **G4-I-1-232T8-AC-4-W-277V**

Generation Four profile for two 32 watt T8 lamps with two 48 inch aircraft cables and power feed four foot fixture finished in baked white enamel with 277v electronic ballast less than 20% total harmonic distortion.

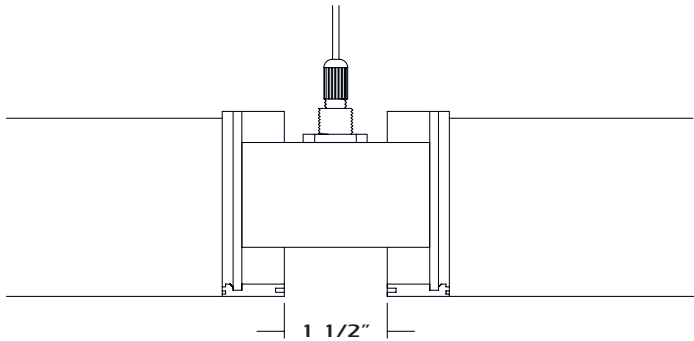
**OPTIONS**

- E10=** Electronic ballast, high power factor, thermally protected class P, sound rated A, < 10% total harmonic distortion
- DIM=** Dimming Ballast
- EPC=** Emergency Battery Pack
- EMC=** Emergency Circuit
- TCW=** Two Circuit Wiring
- TDW=** Tandem Wiring
- QCW=** Quick Connect Wiring
- OTH=** See Accessories for other options available

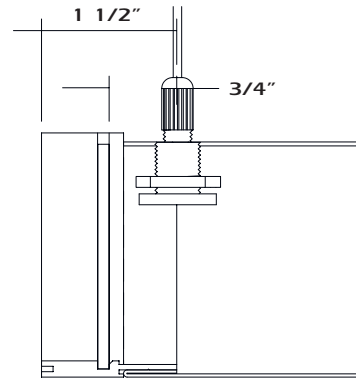
## LINEAR SECTIONS AND SUSPENSION LOCATION



## INSTALLATION PREPARATION

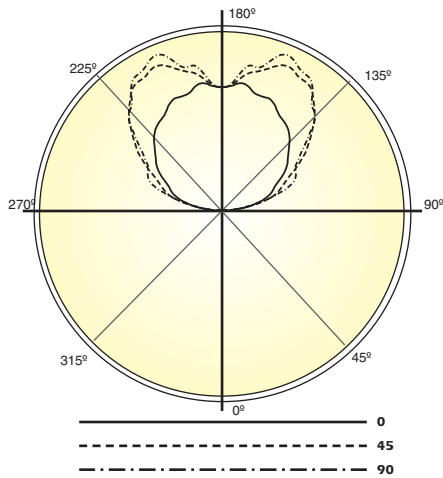


TYPICAL JOINT DETAIL



TYPICAL END DETAIL

## PHOTOMETRY



LAMP (2) 32W T8  
LUMENS: 2900 PER LAMP

### Candela Distribution:

Vert. Angle	0	22.5	45	67.5	90
90	31	18	7	2	2
95	177	152	141	118	116
100	301	310	323	305	309
105	419	425	489	504	496
110	501	564	586	654	678
115	558	710	671	725	777
120	663	851	818	822	802
125	752	983	976	927	907
130	814	1077	1100	1097	1063
135	899	1148	1245	1245	1249
140	979	1201	1353	1348	1330
145	1027	1223	1448	1452	1488
150	1065	1276	1463	1536	1523
155	1137	1231	1505	1523	1586
160	1149	1276	1455	1522	1563
165	1160	1173	1368	1452	1408
170	1224	1175	1316	1358	1393
175	1193	1270	1204	1237	1227
180	1169	1169	1169	1169	1169

Optical Distribution:  
100% Indirect

### Coefficients of Utilization - Zonal Cavity Method:

pfc = 0.20

	.8	.7	.5	.3	.1	0
pcc	.8	.7	.5	.3	.1	0
pw	.7	.5	.3	.1	.5	.3
RCR	.1	.7	.5	.3	.1	.5
0	83	83	83	83	71	71
1	76	72	69	66	65	62
2	69	63	58	54	59	54
3	63	55	49	45	53	47
4	57	49	42	38	49	42
5	52	43	37	32	44	37
6	48	38	32	27	41	33
7	44	34	28	23	37	29
8	41	31	25	20	35	26
9	38	28	22	18	32	24
10	35	25	19	16	30	22



Total Luminaire Optical  
Efficiency = 87.3%