

Rounds

AD-RO6-I



TYPE _____

FEATURES

The AD RO6 I series is an indirect version of the family of 6" round extruded aluminum luminaires. The series is furnished with a round clear linear lens to provide a widespread indirect distribution. The series can be suspended, wall mounted and mounted from wall to wall. These AD RO6 I series can be mounted individually, in perfectly aligned continuous rows, or in any combination of patterns. These luminaires provides a highly decorative element and produce effective indirect illumination.

SPECIFICATIONS

- Housing:** One piece heavy gauge extruded aluminum 6063T5 alloy welded construction forming a six-inch round diameter profile. Finished end caps are welded with no exposed hardware or knockouts.
- Reflector:** Die formed 20-gauge cold rolled steel minimum 90% reflectivity finished in high gloss baked white enamel.
- Shielding:** Standard lens is extruded acrylic with linear ribs (ARL) for efficient light distribution.
- Electrical:** Ballast is electronic, high power factor, thermally protected class P, sound rated A, with less than 20% total harmonic distortion. The minimum number of ballasts will be used unless otherwise specified.
- Mounting:** Standard installation is an adjustable self-locking aircraft assembly 48" x 3/32" in diameter with 5" canopy. One 16/4 SJT straight 54" cord is supplied with each power feed. Standard pendants are available in 24" lengths. See Accessories for additional mounting.
- Finish:** Fixture housing and steel components are finished in baked white enamel applied over a five-stage pretreatment process.
- Lamps:** Fixtures are provided for use with one or two 32 watt T8 lamps or 54 watt T5 HO lamps. (Supplied by Others)
- Certification:** Luminaires are U. L. Listed, C. S. A. certified and are Union Made in the United States of America I.B.E.W.

ORDERING GUIDE

MODEL NO.	DIRECTION	DIFFUSER	LAMPS	MOUNTING	LENGTH	FINISH	VOLTAGE	OPTIONS
AD-RO6	I							
AD-RO6	I=Indirect	ARL= Acrylic Ribbed Lens	132T8 232T8 154T5 HO 254T5 HO	AC= Cable PD= Pendant WM= Wall Mounted WW=Wall to Wall	4= 4 ft 8= 8 ft	W= White CC= Custom Color	120v 277v	See Options Below
			O=Other Specify	See Accessories	for other, please enter row length (eg. 48=48ft)			

Example: **AD-RO6-I-ARL-232T8-AC-4-W-120V**
 Example: AD-RO6 indirect with acrylic ribbed linear lens for two 32 watt T8 lamps including two 48inch aircraft cables and power feed four foot fixture finished in baked white enamel 120v electronic ballast less than 20% total harmonic distortion.

OPTIONS

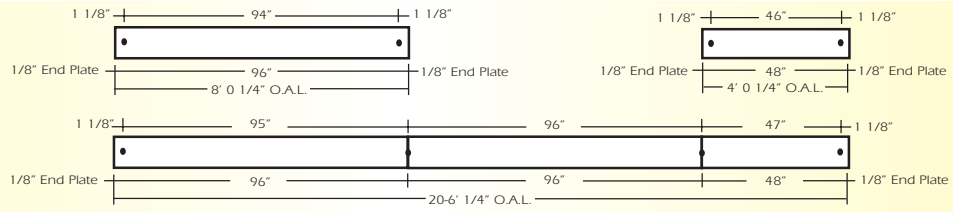
- E10=** Electronic ballast, high power factor, thermally protected class P, sound rated A, < 10% total harmonic distortion
- DIM=** Dimming Ballast
- EPC=** Emergency Battery Pack
- EMC=** Emergency Circuit
- TCW=** Two Circuit Wiring
- TDW=** Tandem Wiring
- OTH=** See Accessories for other options available

Rounds

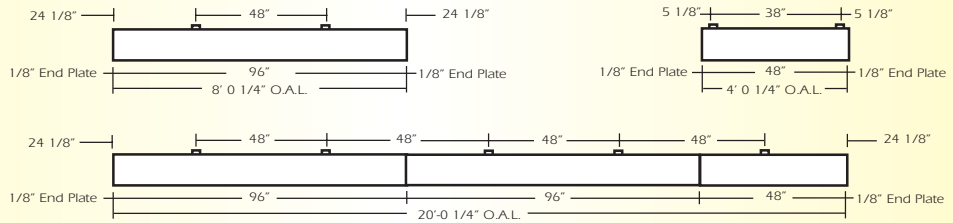
AD-RO6-1

LINEAR SECTIONS AND SUSPENSION LOCATION

SUSPENSION MOUNTING

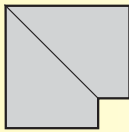


WALL MOUNTING

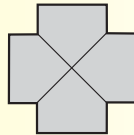


CORNERS

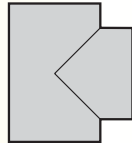
Corners and fixture extensions are custom fabricated to precise dimensions. Please indicate the specific requirements on the layout



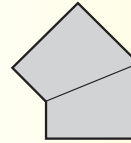
C2
90° Corner



C4
4-Way Corner (Cross)



C3
3-Way Corner (Tee)

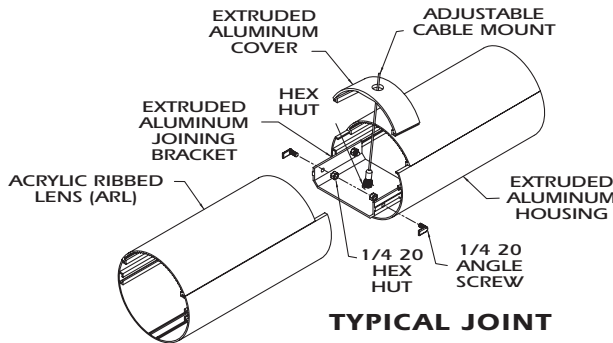


()° AC
Angular Corner

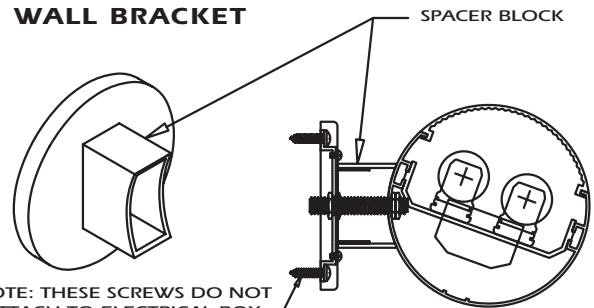
For any angular corner, ()° must be specified and dimensions must be included on the layout

For any pattern, a layout must accompany the order.

INSTALLATION PREPARATION

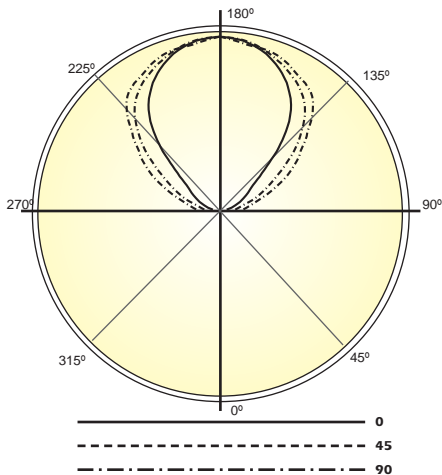


WALL BRACKET



NOTE: THESE SCREWS DO NOT ATTACH TO ELECTRICAL BOX (NOT SUPPLIED BY DAY-O-LITE)

PHOTOMETRY



Candela Distribution:

Vert. Angle	0	22.5	45	67.5	90
90	10.8	49.8	83.1	126	171
95	25.0	63.0	128	179	194
100	40.5	90.0	171	262	324
105	84.3	121	232	344	372
110	134	138	296	399	472
115	170	200	386	566	551
120	182	275	472	673	645
125	290	410	578	743	785
130	413	541	726	897	889
135	486	653	876	1003	986
140	715	806	933	1076	1092
145	868	937	1091	1150	1238
150	1082	1109	1147	1228	1333
155	1131	1230	1208	1259	1315
160	1220	1160	1271	1408	1367
165	1317	1310	1280	1385	1457
170	1270	1417	1295	1341	1489
175	1468	1277	1280	1422	1192
180	1029	1029	1029	1029	1029

Optical Distribution:
100% Indirect

Coefficients of Utilization - Zonal Cavity Method:

pfc = 0.20

	.8	.7	.5	.3	.1	0
pcc	.8	.7	.5	.3	.1	0
pw	.7	.5	.3	.1	.5	.3
RCR	.1	.7	.5	.3	.1	.5
0	59	59	59	59	50	50
1	54	51	49	47	46	44
2	49	45	41	38	41	38
3	44	39	35	32	38	33
4	40	34	30	26	34	29
5	37	30	26	22	31	26
6	34	27	22	19	29	23
7	31	24	20	16	26	21
8	29	22	17	14	24	19
9	26	19	15	12	22	17
10	25	18	13	11	21	15



Total Luminaire Optical Efficiency = 62.8%

LAMP (2) 32W T8
LUMENS: 2900 PER LAMP
ARL-LENS