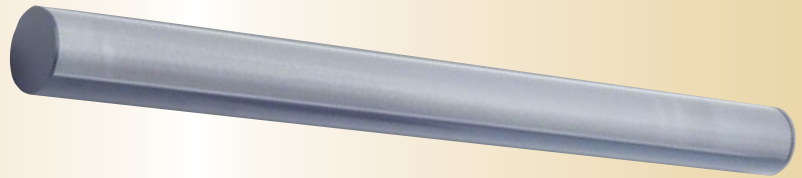
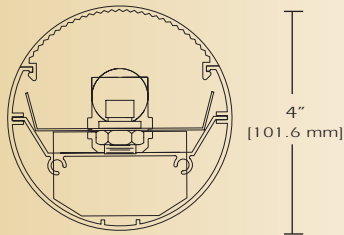


Rounds

AD-RO4-I



TYPE _____

FEATURES

The AD RO4 I series is an indirect version of the family of 4" round extruded aluminum luminaires. The series is furnished with a round clear linear lens to provide a widespread indirect distribution. The series can be suspended, wall mounted and mounted from wall to wall. These AD RO4 I series can be mounted individually, in perfectly aligned continuous rows, or in any combination of patterns. These luminaires provides a highly decorative element and produce effective indirect illumination.

SPECIFICATIONS

Housing: One piece heavy gauge extruded aluminum 6063T5 alloy welded construction forming a four inch round diameter profile. Finished end caps are welded with no exposed hardware or knockouts.

Reflector: Die formed 20-gauge cold rolled steel minimum 90% reflectivity finished in high gloss baked white enamel.

Shielding: Standard lens is extruded acrylic with linear ribs (ARL) for efficient light distribution.

Electrical: Ballast is electronic, high power factor, thermally protected class P, sound rated A, with less than 20% total harmonic distortion. The minimum number of ballasts will be used unless otherwise specified.

Mounting: Standard installation is an adjustable self-locking aircraft cable assembly 48" x 3/32" in diameter with 5" canopy. One 16/4 SJT straight 54" cord is supplied with each power feed. Standard pendants are available in 24" lengths. See Accessories for additional mounting.

Finish: Fixture housing and steel components are finished in baked white enamel applied over a five-stage pretreatment process.

Lamps: Fixtures are provided for use with one or two 32 watt T8 lamp or 54 watt T5 HO lamp. (Supplied by Others)

Certification: Luminaires are U. L. Listed, C. S. A. certified and are Union Made in the United States of America I.B.E.W.

ORDERING GUIDE

MODEL NO.	DIRECTION	SHIELDING	LAMPS	MOUNTING	LENGTH	FINISH	VOLTAGE	OPTIONS
AD-RO4	I							
AD-RO4	I=Indirect	ARL=Acrylic Ribbed Lens	132T8 232T8 154T5 HO 254T5 HO	AC= Cable PD= Pendant WM= Wall Mounted WW= Wall to Wall	4= 4 ft 8= 8 ft	W= White CC= Custom Color	120v 277v	See Options Below
			O=Other Specify	See Accessories	for other, please enter row length (eg. 48=48ft)			

Example: **AD-RO4-I-ARL-132T8-AC-4-W-120V**

Example: AD-RO4 indirect with acrylic ribbed linear lens for one 32 watt T8 lamp including two 48inch aircraft cables and power feed four foot fixture finished in baked white enamel 120v electronic ballast less than 20% total harmonic distortion.

OPTIONS

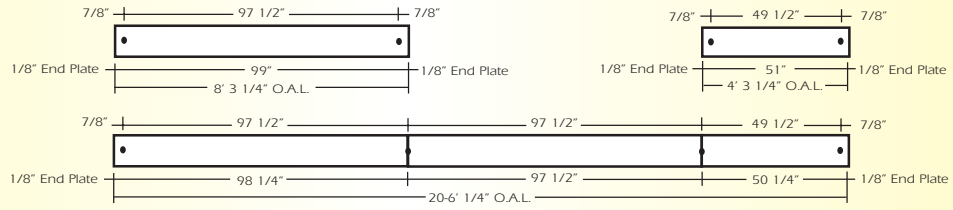
- E10=** Electronic ballast, high power factor, thermally protected class P, sound rated A, < 10% total harmonic distortion
- DIM=** Dimming Ballast
- EPC=** Emergency Battery Pack
- EMC=** Emergency Circuit
- TCW=** Two Circuit Wiring
- TDW=** Tandem Wiring
- OTH=** See Accessories for other options available

Rounds

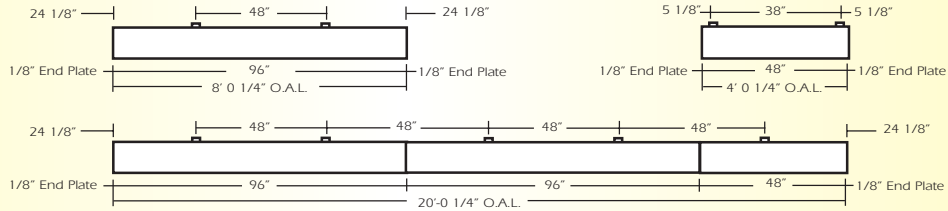
AD-RO4-I

LINEAR SECTIONS AND SUSPENSION LOCATION

SUSPENSION MOUNTING

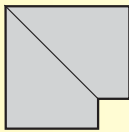


WALL MOUNTING

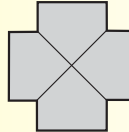


CORNERS

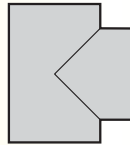
Corners and fixture extensions are custom fabricated to precise dimensions. Please indicate the specific requirements on the layout



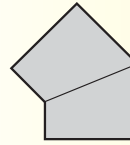
C2
90° Corner



C4
4-Way
Corner
(Cross)



C3
3-Way
Corner
(Tee)

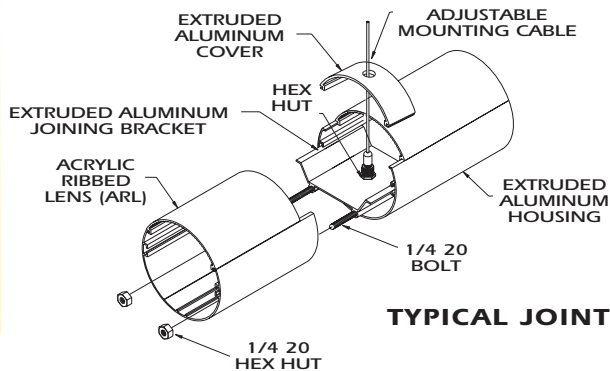


()° AC
Angular
Corner

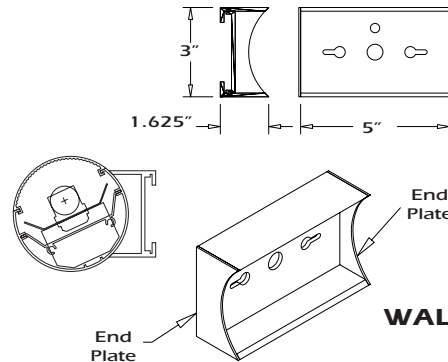
For any angular corner, ()° must be specified and dimensions must be included on the layout

For any pattern, a layout must accompany the order.

INSTALLATION PREPARATION

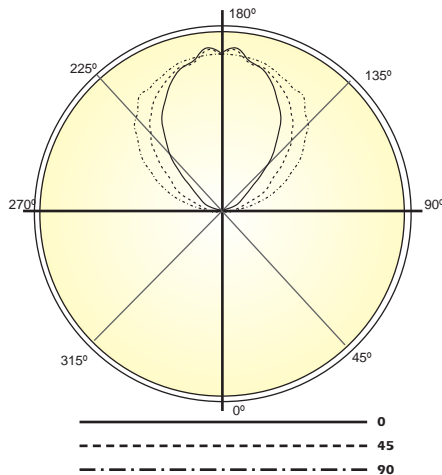


TYPICAL JOINT



WALL BRACKET

PHOTOMETRY



LAMP (1) 32W T8
LUMENS: 2900 PER LAMP
ARL-LENS

Candela Distribution:

Vert. Angle	0	22.5	45	67.5	90
90	13.0	24.7	44.3	73.8	87.9
95	17.7	34.5	63.5	100	116
100	30.0	44.6	82.3	138	155
105	50.3	59.0	115	182	200
110	66.2	75.1	146	231	251
115	83.6	100	198	294	316
120	108	135	252	344	373
125	134	189	312	401	435
130	201	249	373	453	477
135	269	317	431	508	541
140	331	385	476	547	567
145	432	456	527	584	617
150	478	516	553	600	619
155	545	566	586	608	643
160	607	597	614	636	643
165	635	632	649	658	653
170	652	654	635	667	682
175	706	692	703	675	672
180	674	674	674	674	674

Optical Distribution:
100% Indirect

Coefficients of Utilization - Zonal Cavity Method:

pfc = 0.20

	.8	.7	.5	.3	.1	0												
pcc	.8	.7	.5	.3	.1	0												
pw	.7	.5	.3	.1	.5	.3	.1	0										
RCR																		
0	63	63	63	54	54	54	54	37	37	37	22	22	22	8	8	8	2	
1	56	53	51	48	48	46	44	42	32	30	29	18	18	17	6	6	6	0
2	51	46	42	39	43	40	37	34	27	25	24	16	15	14	5	5	4	0
3	46	40	36	32	39	35	31	28	24	21	20	14	13	11	5	4	4	0
4	42	36	31	27	36	30	26	23	21	18	16	12	11	10	4	3	3	0
5	39	31	26	23	33	27	23	20	19	16	14	11	9	8	3	3	2	0
6	35	28	23	19	30	24	20	17	17	14	12	10	8	7	3	2	2	0
7	32	25	20	17	28	21	17	14	15	12	10	9	7	6	3	2	2	0
8	30	22	18	14	25	19	15	12	13	11	9	8	6	5	2	2	1	0
9	28	20	16	13	24	17	13	11	12	9	8	7	5	4	2	2	1	0
10	26	18	14	11	22	16	12	9	11	8	7	6	5	4	2	1	1	0



Total Luminaire Optical
Efficiency = 65.2%