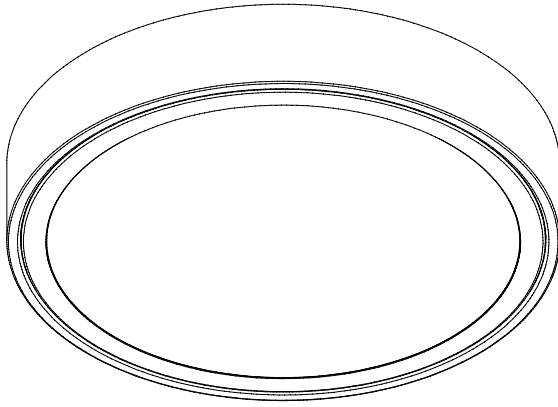


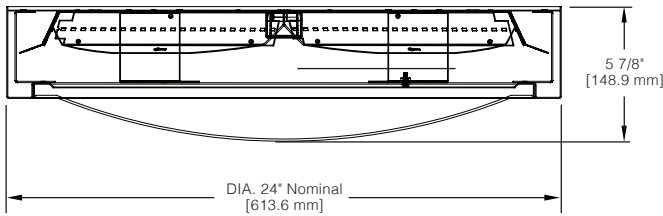


Equator | EQL-1923 2' Diameter LED Luminaire

| | |
|---------|-------|
| DATE | NOTES |
| PROJECT | |
| TYPE | |



Direct



HOUSING: One-piece aluminum spinning. Doorframe is constructed of a one-piece spinning for a clean seamless appearance.

REFLECTOR: Die-formed, 20-gauge, cold rolled steel in high gloss baked white enamel. Consult factory for High Efficiency Optics (HEO) options.

SHIELDING: Standard diffuser is a convex white opal acrylic lens. A flat lens is also available.

LEDS: Mid-powered LED arrays in 30/35/40 & 50K CCT, 80+ CRI. L70 = 50,000 hours @ 25 C° ambient temperature.

ELECTRICAL: Class 2 driver, 120/277v input, PF > 90%, THD < 20 @ 120v. A variety of dimming, emergency battery back-up and sensor options are available. See below.

MOUNTING: Standard installation is surface mount. Optional mountings include pendant and aircraft cable.

FINISH: Fixture housing and steel components are finished in baked white enamel applied over a five-stage pretreatment process.

CERTIFICATION: Luminaires are cETLus listed conforming to UL STD. 1598 and certified to CSA STD C22.2 NO. 250.0. Union Made in the United States of America. I.B.E.W.

Ordering Guide (choose from the lists below and specify)

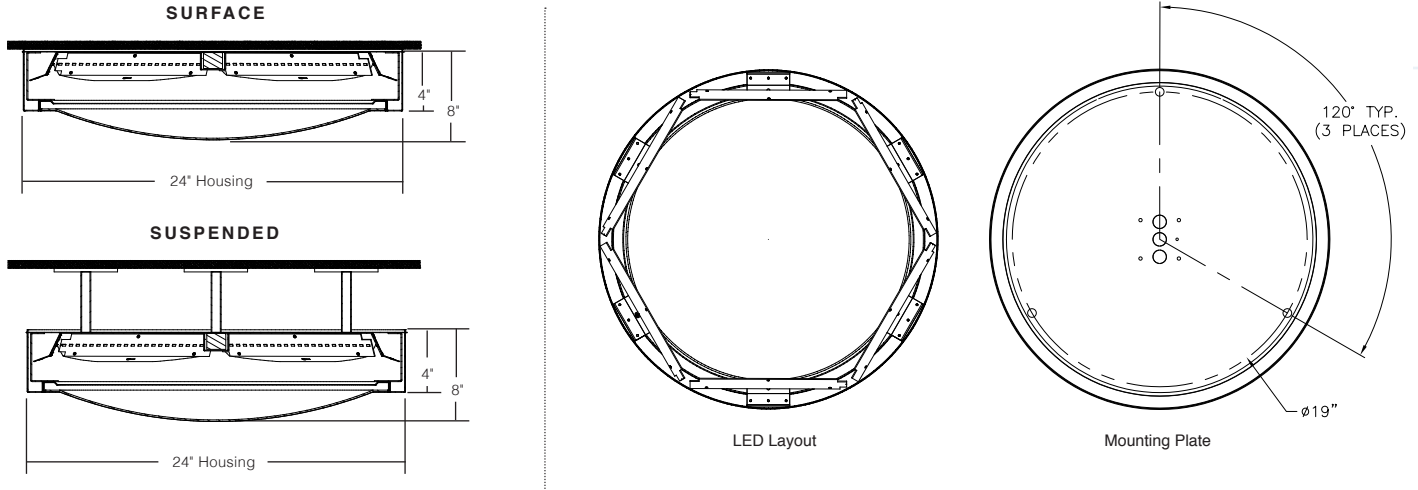
| MODEL | STYLE | DISTRIBUTION | SHIELDING | COLOR TEMP | LUMENS | SIZE | MOUNTING | FINISH | VOLTAGE | OPTIONS* |
|-------|-------|--------------|-------------------------------------------------------------------------------------------|------------------------------------------------------|-----------------------------------------------------------------------------------------------------|-------------|-------------------------------------------|--------------------------------|---------------------------------------|------------------------------------------------------------------------------------------------------------------------------------------------------------------------------------------------------------------------------------------------------------------|
| EQL | 1923 | D = Direct | CX = Convex FL = Flat WOA is Standard. Consult factory for other shielding options. | 30 = 3000K 35 = 3500K 40 = 4000K 50 = 5000K | LO = 2250 SO = 3000 Consult factory for additional lumen packages and High Efficiency Optics. | 2 = 2' dia. | S = Surface AC = Cable PD = Pendant | W = White CC = Custom Color | U = 120/277 12 = 120V 27 = 277V | DIM10 = 0-10V Dimming DIMST = Step Dimming DIMHL = Dimming Lutron DALI = DALI Dimming DAY = Daylight Sensor OCC = Occupancy Sensor EPC = Emergency Pack EMC = Emergency Circuit TCW = Two Circuit Wiring HEO = High Efficiency Optics |

*For the complete list of all available options please visit www.dayolite.com

Day-O-Lite, a division of SCW Corporation. All rights reserved. The Day-O-Lite logo is a registered trademark of SCW Corporation. Day-O-Lite reserves the right to change specifications without notice for product improvement.



Mounting Information



Photometry

COEFFICIENTS OF UTILIZATION-ZONAL CAVITY METHOD

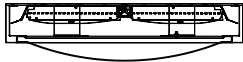
pf_c = 0.20

| | | | | | | | | | | | | | | | | | | | | | |
|-----|----|----|----|----|----|----|----|----|----|----|----|----|----|----|----|----|----|----|----|----|---|
| pcc | .8 | | | | .7 | | | | .5 | | | | .3 | | | | .1 | | | | 0 |
| pw | .7 | .5 | .3 | .1 | .7 | .5 | .3 | .1 | .5 | .3 | .1 | .5 | .3 | .1 | .5 | .3 | .1 | .5 | .3 | .1 | 0 |

RCR

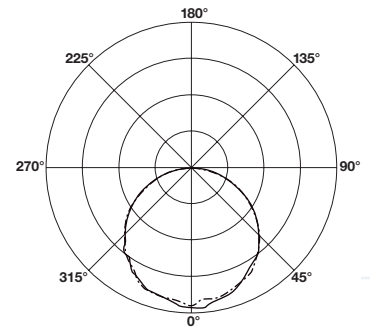
| | | | | | | | | | | | | | | | | | | | | | |
|----|----|----|----|----|----|----|----|----|----|----|----|----|----|----|----|----|----|----|----|----|----|
| 0 | 54 | 54 | 54 | 54 | 53 | 53 | 53 | 53 | 51 | 51 | 51 | 48 | 48 | 48 | 46 | 46 | 46 | 46 | 46 | 46 | 46 |
| 1 | 49 | 46 | 44 | 41 | 48 | 45 | 43 | 41 | 43 | 42 | 40 | 42 | 40 | 38 | 37 | 37 | 37 | 37 | 37 | 37 | 37 |
| 2 | 44 | 40 | 37 | 33 | 43 | 39 | 36 | 32 | 38 | 35 | 32 | 36 | 34 | 31 | 31 | 31 | 31 | 31 | 31 | 30 | 30 |
| 3 | 40 | 35 | 31 | 27 | 39 | 34 | 31 | 26 | 33 | 30 | 26 | 32 | 29 | 26 | 25 | 25 | 25 | 25 | 25 | 25 | 25 |
| 4 | 37 | 31 | 27 | 22 | 36 | 30 | 26 | 22 | 29 | 26 | 22 | 28 | 25 | 22 | 21 | 21 | 21 | 21 | 21 | 21 | 21 |
| 5 | 34 | 28 | 23 | 19 | 33 | 27 | 23 | 19 | 26 | 23 | 19 | 25 | 22 | 19 | 18 | 18 | 18 | 18 | 18 | 18 | 18 |
| 6 | 31 | 25 | 21 | 16 | 30 | 24 | 20 | 16 | 23 | 20 | 16 | 23 | 20 | 16 | 16 | 16 | 16 | 16 | 16 | 16 | 16 |
| 7 | 29 | 22 | 18 | 14 | 28 | 22 | 18 | 14 | 21 | 18 | 14 | 21 | 17 | 14 | 14 | 14 | 14 | 14 | 14 | 14 | 14 |
| 8 | 27 | 20 | 16 | 13 | 26 | 20 | 16 | 13 | 20 | 16 | 13 | 19 | 16 | 13 | 13 | 13 | 13 | 13 | 13 | 13 | 13 |
| 9 | 25 | 19 | 15 | 11 | 24 | 18 | 15 | 11 | 18 | 15 | 11 | 17 | 14 | 11 | 11 | 11 | 11 | 11 | 11 | 11 | 11 |
| 10 | 23 | 17 | 14 | 10 | 23 | 17 | 14 | 10 | 17 | 13 | 10 | 16 | 13 | 10 | 10 | 10 | 10 | 10 | 10 | 10 | 10 |

EQL-1923-D-WOA-40-LO-2



CANDELA DISTRIBUTION

| Vert. Angle | 0 | 22.5 | 45 | 67.5 | 90 |
|-------------|-----|------|-----|------|-----|
| 0 | 725 | 725 | 725 | 725 | 725 |
| 5 | 732 | 701 | 721 | 708 | 684 |
| 10 | 701 | 695 | 723 | 730 | 693 |
| 15 | 692 | 694 | 710 | 701 | 679 |
| 20 | 671 | 675 | 664 | 661 | 664 |
| 25 | 638 | 649 | 648 | 652 | 641 |
| 30 | 597 | 599 | 627 | 619 | 621 |
| 35 | 580 | 580 | 587 | 573 | 576 |
| 40 | 545 | 547 | 547 | 537 | 543 |
| 45 | 488 | 494 | 503 | 494 | 502 |
| 50 | 454 | 449 | 449 | 447 | 446 |
| 55 | 399 | 393 | 403 | 398 | 402 |
| 60 | 341 | 349 | 348 | 355 | 352 |
| 65 | 294 | 294 | 294 | 291 | 293 |
| 70 | 236 | 235 | 237 | 240 | 237 |
| 75 | 178 | 182 | 178 | 181 | 184 |
| 80 | 136 | 133 | 130 | 130 | 130 |
| 85 | 91 | 89 | 86 | 87 | 85 |
| 90 | 58 | 57 | 56 | 60 | 58 |



4000K CCT
WATTS: 45
LUMENS: 2251
LPW = 50
Optical Distribution:
100% Direct

Photometry

COEFFICIENTS OF UTILIZATION-ZONAL CAVITY METHOD

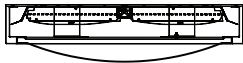
pf_c = 0.20

| | | | | | | | | | | | | | | | | | | | | | |
|-----|----|----|----|----|----|----|----|----|----|----|----|----|----|----|----|----|----|----|----|----|---|
| pcc | .8 | | | | .7 | | | | .5 | | | | .3 | | | | .1 | | | | 0 |
| pw | .7 | .5 | .3 | .1 | .7 | .5 | .3 | .1 | .5 | .3 | .1 | .5 | .3 | .1 | .5 | .3 | .1 | .5 | .3 | .1 | 0 |

RCR

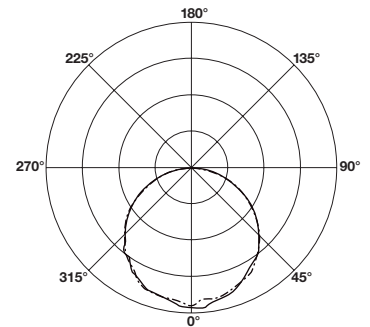
| | | | | | | | | | | | | | | | | | | | | | |
|----|----|----|----|----|----|----|----|----|----|----|----|----|----|----|----|----|----|----|----|----|----|
| 0 | 54 | 54 | 54 | 54 | 53 | 53 | 53 | 53 | 51 | 51 | 51 | 48 | 48 | 48 | 46 | 46 | 46 | 46 | 46 | 46 | 46 |
| 1 | 49 | 46 | 44 | 41 | 48 | 45 | 43 | 41 | 43 | 42 | 40 | 42 | 40 | 38 | 37 | 37 | 37 | 37 | 37 | 37 | 37 |
| 2 | 44 | 40 | 37 | 33 | 43 | 39 | 36 | 32 | 38 | 35 | 32 | 36 | 34 | 31 | 31 | 31 | 31 | 31 | 31 | 30 | 30 |
| 3 | 40 | 35 | 31 | 27 | 39 | 34 | 31 | 26 | 33 | 30 | 26 | 32 | 29 | 26 | 25 | 25 | 25 | 25 | 25 | 25 | 25 |
| 4 | 37 | 31 | 27 | 22 | 36 | 30 | 26 | 22 | 29 | 26 | 22 | 28 | 25 | 22 | 21 | 21 | 21 | 21 | 21 | 21 | 21 |
| 5 | 34 | 28 | 23 | 19 | 33 | 27 | 23 | 19 | 26 | 23 | 19 | 25 | 22 | 19 | 18 | 18 | 18 | 18 | 18 | 18 | 18 |
| 6 | 31 | 25 | 21 | 16 | 30 | 24 | 20 | 16 | 23 | 20 | 16 | 23 | 20 | 16 | 16 | 16 | 16 | 16 | 16 | 16 | 16 |
| 7 | 29 | 22 | 18 | 14 | 28 | 22 | 18 | 14 | 21 | 18 | 14 | 21 | 17 | 14 | 14 | 14 | 14 | 14 | 14 | 14 | 14 |
| 8 | 27 | 20 | 16 | 13 | 26 | 20 | 16 | 13 | 20 | 16 | 13 | 19 | 16 | 13 | 13 | 13 | 13 | 13 | 13 | 13 | 13 |
| 9 | 25 | 19 | 15 | 11 | 24 | 18 | 15 | 11 | 18 | 15 | 11 | 17 | 14 | 11 | 11 | 11 | 11 | 11 | 11 | 11 | 11 |
| 10 | 23 | 17 | 14 | 10 | 23 | 17 | 14 | 10 | 17 | 13 | 10 | 16 | 13 | 10 | 10 | 10 | 10 | 10 | 10 | 10 | 10 |

EQL-1923-D-WOA-40-SO-2



CANDELA DISTRIBUTION

| Vert. Angle | 0 | 22.5 | 45 | 67.5 | 90 |
|-------------|-----|------|-----|------|-----|
| 0 | 967 | 967 | 967 | 967 | 967 |
| 5 | 931 | 966 | 956 | 926 | 979 |
| 10 | 953 | 925 | 944 | 919 | 948 |
| 15 | 920 | 948 | 920 | 916 | 904 |
| 20 | 905 | 901 | 886 | 903 | 895 |
| 25 | 860 | 863 | 848 | 880 | 867 |
| 30 | 808 | 814 | 822 | 811 | 829 |
| 35 | 758 | 785 | 780 | 776 | 772 |
| 40 | 718 | 728 | 720 | 723 | 704 |
| 45 | 662 | 653 | 644 | 659 | 660 |
| 50 | 600 | 602 | 590 | 606 | 590 |
| 55 | 538 | 534 | 524 | 544 | 534 |
| 60 | 459 | 461 | 476 | 464 | 460 |
| 65 | 387 | 399 | 386 | 380 | 392 |
| 70 | 320 | 318 | 320 | 313 | 317 |
| 75 | 249 | 242 | 241 | 248 | 247 |
| 80 | 178 | 181 | 173 | 178 | 185 |
| 85 | 116 | 118 | 124 | 121 | 118 |
| 90 | 72 | 78 | 78 | 72 | 87 |



4000K CCT
WATTS: 60
LUMENS: 3002
LPW = 50
Optical Distribution:
100% Direct